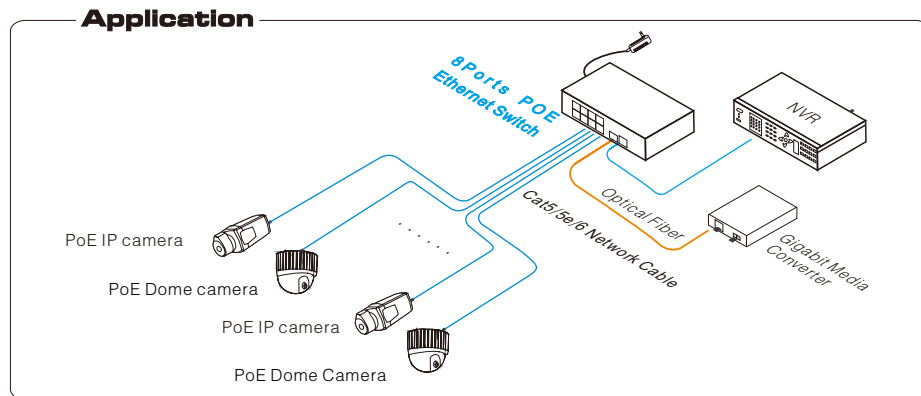


# 8 Ports PoE Ethernet Switch

## User Manual

Ver 1.0

The un-managed 8 ports switch provides one uplink ethernet port and one uplink optical port (both gigabit), 8\*10/100Mbps PoE ports which supporting af/at PoE standard. It supports one key CCTV mode: 1. Realize VLAN : 1~8 downlink PoE ports communicate with uplink ports only; 2. Extend the POE Ports transmission distance up to 250m (Max distance will depend on the camera and cable), but the downlink bandwidth only 10Mbps; 3.PoE watchdog (Detect POE device when it is frozen, reboot automatically). The product could be used in network security video surveillance, network project etc.



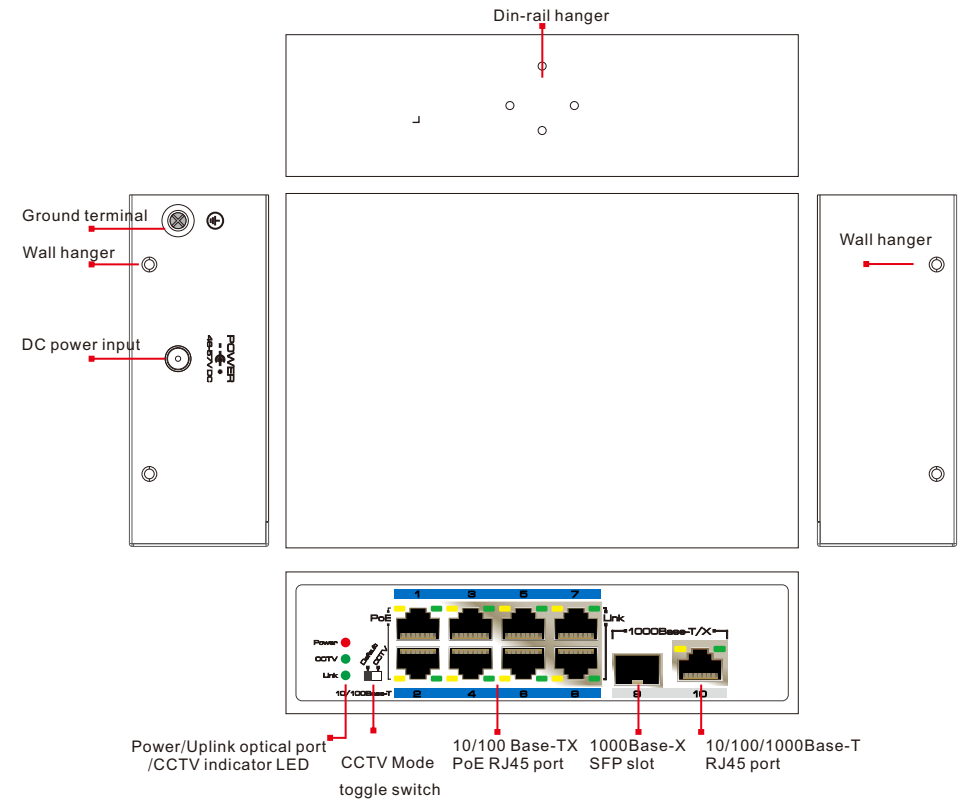
## Feature

- Provide 8\*10/100Base-T RJ45 PoE ports, 1\*10/100/1000Base-T RJ45 and 1\*1000Base-X SFP port ;
- The 8 PoE ports support IEEE802.3 af/at standard and can provide up to 30W power per port;
- One key CCTV mode: 1. Realize VLAN : 1~8 downlink PoE ports communicate with uplink ports only; 2. Extend the POE Ports transmission distance up to 250m (Max distance will depend on the camera and cable), but the downlink bandwidth only 10Mbps; 3.PoE watchdog (Detect POE device when it is frozen, reboot automatically);
- 6KV surge protection, 8KV/15KV ESD protection;
- -30℃ ~ 65℃ working temperature;
- Din-rail and wall-mount installation.

## Caution

- 1) Transmission distance is related to the connecting cable. We suggest to use standard Cat5e/6 network cable to get the best transmission effect.
- 2) If use optical uplink port, customer needs to purchase additional SFP module.
- 3) The equipment must be connected to anti-thunder grounding ,otherwise the protection level will be greatly reduced ; please use NO. 20th or above wire to connect grounding terminal to the earth.

## Board Diagram



## Installation steps

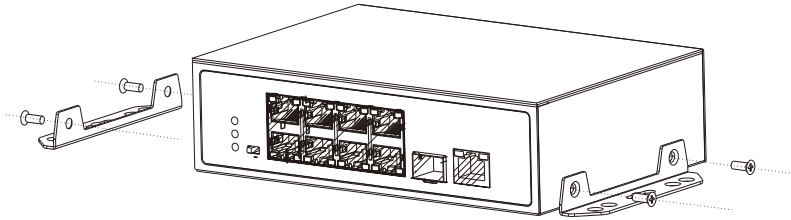
Please check the following items before installation. If any missing, please contact the dealer.

- |                       |       |
|-----------------------|-------|
| ● POE Ethernet switch | 1 pc  |
| ● Power adapter       | 1 pc  |
| ● Wall hangers        | 2 pcs |
| ● Din rail hanger     | 1 pc  |
| ● User manual         | 1 pc  |

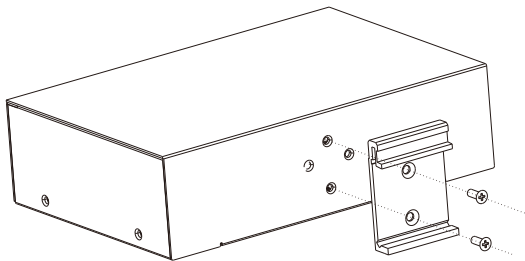
**Please follow the following installation steps**

- 1) Please turn off the signal source and the device's power, installation with power on may damage the device;
- 2) Use 8pcs network cables to connect 8pcs IP cameras with the product's 1~8 RJ45 Ethernet ports;
- 3) Use another network cable or (optical fiber) to connect switch's UPLINK port with NVR or computer;
- 4) Connect switch with power adapter;
- 5) Check if the installation is correct and device is good, make sure all the connection is reliable and power up the system;
- 6) Make sure every network device power supply works normally.

**Wall-mount installation**



**Din-rail installation**



**Specification**

Item		8 ports PoE Ethernet Switch
Power	Power Supply	Power adapter
	Voltage range	DC48V~57V
	Consumption	Self consumption < 5W
Ethernet Port Parameter	Ethernet Port	1 ~ 8 ports: 10/100BASE-TX PoE; Port 9:10/100/1000BASE-T; Port 10: 1000BASE-X SFP
	CCTV Mode	1. Realize VLAN : 1~8 downlink PoE ports communicate with uplink ports only; 2. Extend the POE Ports transmission distance up to 250m (Max distance will depend on the camera and cable), but the downlink bandwidth only 10Mbps; 3.PoE watchdog ( Detect POE device when it is frozen, reboot automatically)
	Transmission Medium	Cat5e/6 network cable
	PoE standard	IEEE802.3af/at
	PoE Power Supply	End-span
	PoE Power output	Single port≤30W, Whole<240W (Default power adaptor 120W)
Ethernet Exchange Specification	Ethernet Standard	IEEE802.3 10BASE-T; IEEE802.3u 100BASE-TX; IEEE802.3ab 1000BASE-TX; IEEE802.3z 1000-SX/LX
	Switch Fabric	5.6Gbps
	Throughput	4.2Mpps
	Packet Buffer	1M
Indicator Status	MAC Address	8K
	Power LED	1 pc red
	CCTV LED	1*green, the green LED on Indicates CCTV Mode start
	Optical Port LED	1*green LED
	Uplink Ethernet Port LED	Green and yellow LED on RJ 45 indicate network
Protection	Downlink Ethernet Port LED	1~8 ports : green LED indicates network status, yellow LED indicates PoE status
	Port Lighting Protection	6KV , Per: IEC61000-4-5
Operation Environment	ESD	8KV: contact/15KV: air discharge , Per: IEC61000-4-2
	Working Temperature	-30°C~65°C
	Storage Temperature	-40°C~85°C
Mechanical	Humidity (Non-condensing)	0~95%
	Dimension(L×W×H)	159mm×110mm×44mm
	Material	Metal
	Color	Black
	Weight	500g

*Products are subject to change without prior notice*