

8 Ports Industrial Full Gigabit PoE Managed Switch

UTEPO®

8GE PoE+4GF(SFP), Fast ring, Industrial Level 4 Protection, L2 Management, 60W/30W PoE, Relay Alarm

UTP7308GE-POE



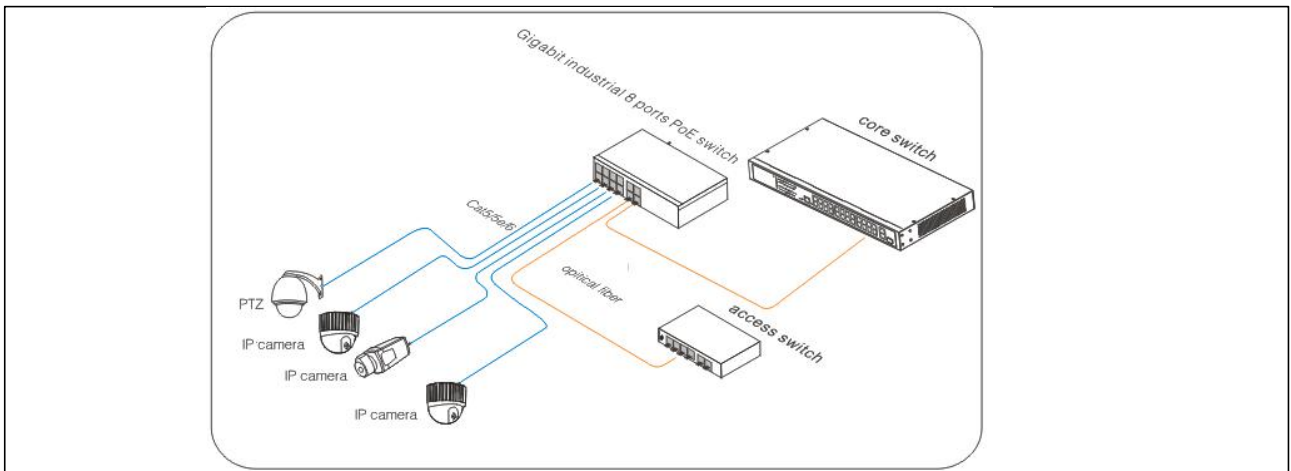
- Provide 8* 10/100/1000Base-T RJ45 ports(PoE), 4 * 1000BASE-X SFP ports(Unlinks) ;
- Buffer reaches 4Mbit, Support 4K high-definition video transmission;
- PoE function: 1 port max Maxim 60W HPoE&IEEE 802.3 af/at standard;7 ports IEEE 802.3 af/at standard max 30W PoE;
- Support Web-based network management, support VLAN, QoS, RSTP, SNMP etc. network function;
- Support fast ring ,support 30 pcs switches Max. in a cascade system ,Self-healing in 20ms Min.
- Support relay alarm for power off, network broken, PoE off ;
- 6KV surge immunity, 8KV ESD protection and anti-interference ability;
- -40°C ~ 75°C working temperature.
- IP40
- LED Status



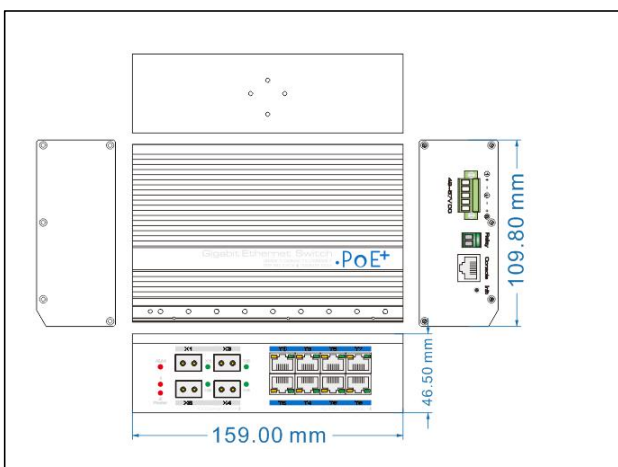
Introduction

UTP7308GE-POE is 8 Ports Industrial Full Gigabit PoE Managed Switch Provide 8* 10/100/1000Base-T RJ45 ports(PoE), 4 * 1000BASE-X SFP ports(Unlinks). The switch provides up to 4Mbit cache, Support 4K high-definition video transmission. Besides, the 8 downlink PoE ports support IEEE802.3af/at standard. It support Web-based network management, support VLAN, QoS, RSTP, SNMP etc. network function; Working temperature 40°C ~ 75°C, strong level of protection from lightning, anti-interference. It fully satisfies the needs of security video surveillance project.

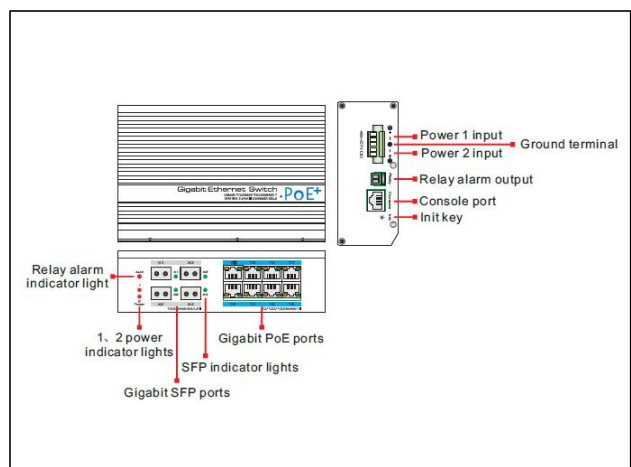
Application



Physical Features



Interface drawing



Parameter

Hardware Parameter

Model	UTP7308GE-POE
Downlink Ports	8* 10/100/1000Base-T PoE RJ45 ports
Uplink Ports	4*1000Base-X SFP ports
Standard	IEEE 802.3, IEEE802.3u, IEEE 802.3ab, IEEE802.3z, IEEE802.3x, IEEE 802.3af, IEEE 802.3at, IEEE 802.1Q, IEEE 802.1D, IEEE 802.1p, IEEE 802.1x IEC61000-4-5 IEC61000-4-2 IEC61000-4-4
Bandwidth	24Gbps
Packet Transfer Rate	18Mpps
Exchange Way	Storage& Transfer
Buffer	4M
MAC Address	8K
PoE Standard	802.3af/at
PoE Power Supply	End-span
PoE Line Pair	1/2(+), 3/6(-)
Power input 5pin	5pin green terminal, 2 groups DC input (redundant power) , 1 grounding terminal; Input power range:DC48V~57V
PoE Output	Maxim PSE solution:Port T1 60W HPoE & IEEE 802.3 af/at standard; Port T2~T8 are IEEE IEEE 802.3 af/at standard PoE(30W)
alarm signal output by relay	Support relay alarm for power off, ports network link-off , ports PoE off (Set by Web Software)
Surge Immunity	6KV Per: IEC61000-4-5
ESD Protection	ESD Level 4 Per: IEC61000-4-2 EFT Level 4 Per: IEC61000-4-4
Input Voltage	48~57V DC
Power Consumption	Self consumption<15W
Operation Temperature	-40°C~75°C
Storage Temperature	-40°C~85°C
Operation Humidity	5%-95% (No- condensation)
Dimension(LxWxH)	159mm×110mm×46.5mm
Weight	750g
Authentication	CE、FCC、ROHS

Software Parameter	
Port Management	Support Port Enable/Disable;
	Support Port Rate Settings;
	Support Port Full-duplex Mode;
	Support IEEE802.3x Flow Control;
	Support Port Name Change;
VLAN	Support 4K VLAN
	Support 802.1Q Protocol-Based VLAN;
	Support Port-Based VLAN;
QoS	Support QoS;
	Support 8-Level Priority management for switching;
	Support WRR;
	Support 820.1P and DSCP Priority;
Multicast Management	Support SNMP V1/V2/V3 Protocol;
	Support IGMP Snooping;
POE Management	Support Total Power Consumption Control;
	Support PoE ON/OFF;
	Support Single Port 60W max. Power Change and Port Output Priority;
alarm signal output by relay	Support relay alarm for power off, ports network link-off , ports PoE off
Safety Character	Support IP、MAC、Port、VLAN Combination and Binding;
	Support MAC address auto-learning, aging& filter;
	Support Port Isolation, Port Speed-Limited;
	Support RSTP;
	Support Fast-Ring;
	Support 5 groups of 8-Port trunk;
	Support RADIUS Authentication& 802.1X Authentication;
System Management& Maintenance	Support WEB Management, CLR Settings and telnet Settings;
	Support CLR Settings;
	Support FTP/TFTP/HTTP Web Upgrading;
	Support Flow Calculate;
	Support MAC address Form Search;
	Support IP Address, DNS Server Change
	Support Username& Password Change;
	Support History Record, Journal management;
	Support System settings Backup;

Package List _____

Item	Quantity
UTP7308GE-POE	1
Accessory	1
User Manual	1