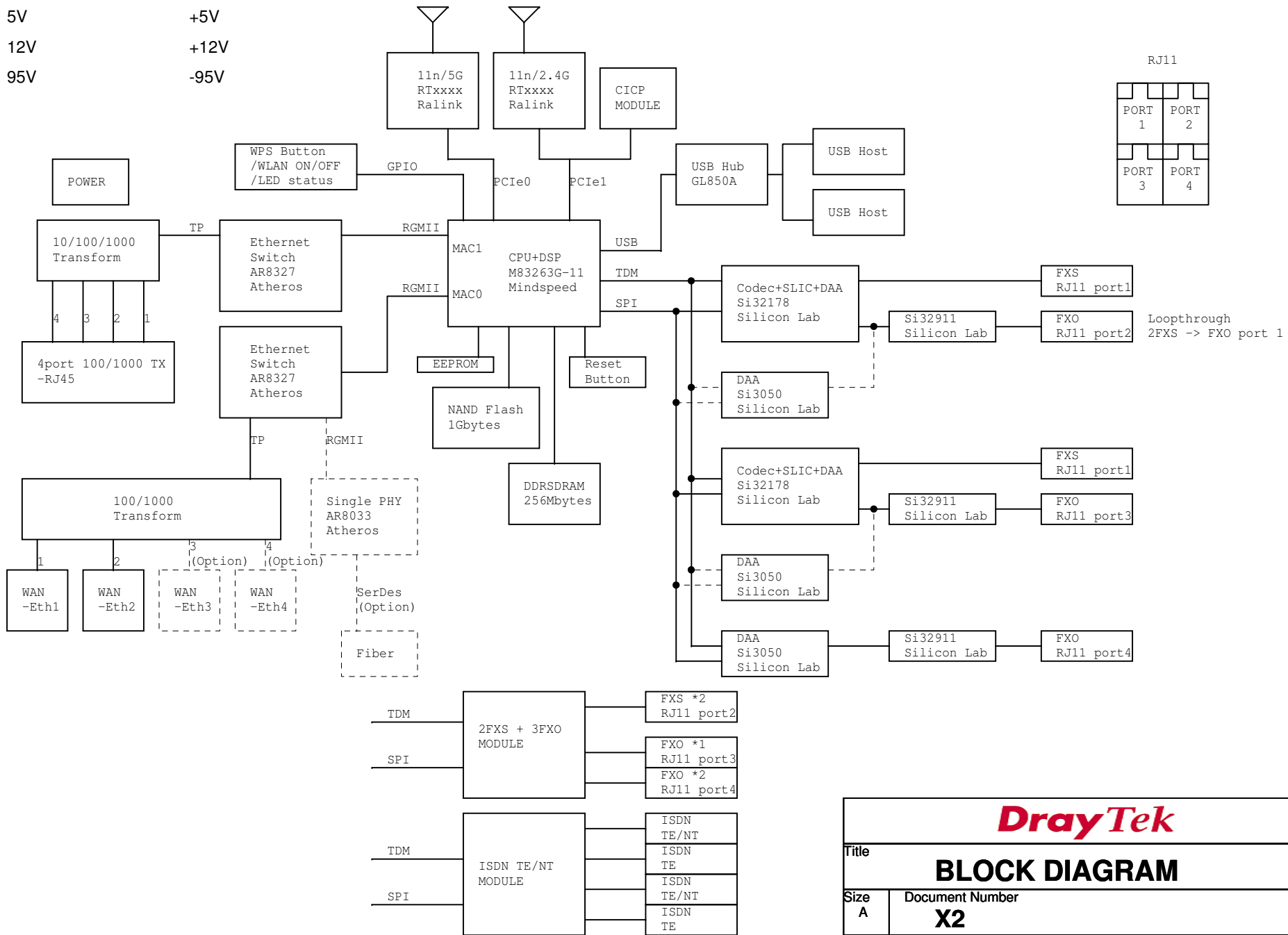


# VOLTAGE RAIL ASSIGNMENT

RAIL	VOLTAGE
3V3	+3.3V
5V	+5V
12V	+12V
95V	-95V



**DrayTek**

Title		
<b>BLOCK DIAGRAM</b>		
Size A	Document Number	Rev 0B
	<b>X2</b>	
Date:	Tuesday, October 11, 2011	Sheet 2 of 25