

MIC Series Composite Cables

www.boschsecurity.com



BOSCH
Invented for life



- ▶ High-quality, sun-resistant jacket
- ▶ Multiple cable lengths
- ▶ Factory-prepared ends

MIC Series composite cables provide all power, video, and telemetry connections between a MIC Series camera and a MIC Series power supply unit in a single shielded cable.

These high-quality cables are specifically designed to maximize flexibility while maintaining properties such as strength and elongation. Each cable is fitted at one end with an IP67-sleeved female connector which connects to, and shields, the male connector in the base of the camera. This provides a reliable, easy-to-install, common connection for all MIC Series cameras. The other end of the cable has individual /free (non-terminated) wires for quick installation into terminals in the MIC power supply unit, for connection to the relevant control equipment and power source.

The cable shield connects to a metal cable gland to ensure minimum EMC interference. The outer jacket of the cable is UV-resistant. For maximum protection, Bosch recommends that the cable be contained in permanently earthed metal conduit.

Technical specifications

12-pin cable (for all MIC cameras except current thermal cameras)

Cable Lengths *	2 m (6.56 ft) 10 m (32.81 ft) 20 m (62.62 ft) 25 m (82.02 ft)
Cable diameter	8 mm (0.30 in.)
Cable weight	2m: 0.3kg (0.66 lb) 10m: 0.5kg (1.10 lb) 20m: 0.95kg (2.09 lb) 25m: 3.3kg (7.28 lb)
Video Cable Impedance	75 Ohm
Connector diameter	25 mm (0.98 in.)
Connector	IP67, 12-pin female sleeved
Temperature range, operational	-40 °C to +80 °C (-40 °F to +176 °F)
Temperature range, storage	-55 °C to +85 °C (-67 °F to +185 °F)
Jacket material	NHFR037

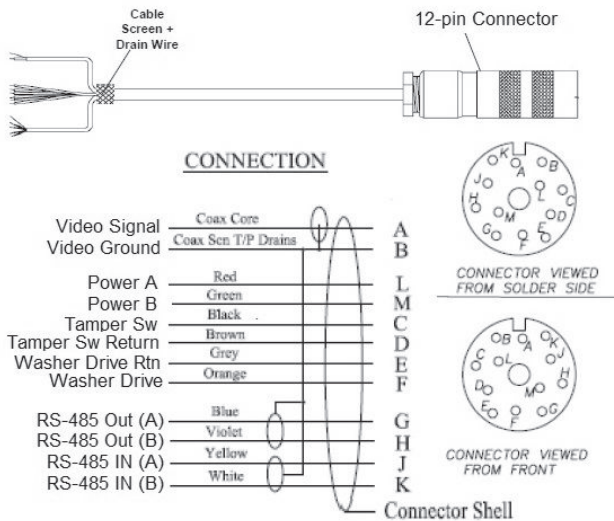
Environmental regulations/standards	UL-recognized component AWM Style 21456 VW-1 rating (UL 1581 section 1080) Sunlight resistance testing (UL 1581 section 1200)
Compatibility	MIC550 / MIC550IR MIC500 MIC440 MIC400 MIC412

14-pin cable (for current thermal cameras)

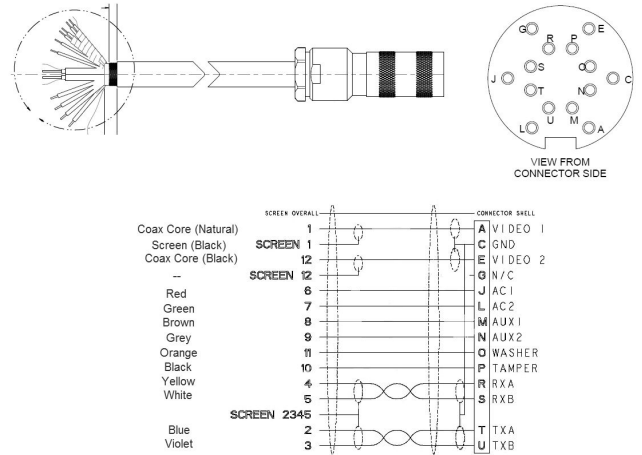
Cable Lengths *	2 m (6.56 ft) 10 m (32.81 ft) 20 m (62.62 ft) 25 m (82.02 ft)
Cable diameter	10 mm (±0.20 mm) [0.39 in. (±0.008 in.)]
Video Cable Impedance	75 Ohm
Connector	IP67, 14-pin female sleeved
Temperature range, operational	-40 °C to +80 °C (-40 °F to +176 °F)
Jacket material	NHFR037
Environmental regulations/standards	UL-recognized component AWM Style 21456 VW-1 rating (UL 1581 section 1080) Sunlight resistance testing (UL 1581 section 1200)
Compatibility	MIC612

* For distances greater than 25 m (82.02 ft) between the MIC camera and the power supply, please refer to the MIC PSU Extension document found on the product page of your MIC camera, in the online catalog at boschsecurity.com.

Cable Diagram



MIC Cable – 12-pin (for all MIC cameras except current thermal cameras)



MIC Cable – 14-pin (for current MIC thermal cameras)

Ordering information

MIC Cable 2M

2 meter (6.56 ft) composite cable with plug for power, data and video for MIC Series cameras
Order number **MIC-CABLE-2M**

MIC Cable 10M

10 meter (32.81 ft) composite cable with plug for power, data and video for MIC Series cameras
Order number **MIC-CABLE-10M**

MIC Cable 20M

20 meter (62.62 ft) composite cable with plug for power, data and video for MIC Series cameras
Order number **MIC-CABLE-20M**

MIC Cable 25M

25 meter (82.02 ft) composite cable with plug for power, data and video for MIC Series cameras
Order number **MIC-CABLE-25M**

MIC Thermal Cable 2M

2 meter (6.56 ft) composite cable with plug for power, data and video for MIC Series thermal cameras
Order number **MIC-THERCBL-2M**

MIC Thermal Cable 10M

10 meter (32.81 ft) composite cable with plug for power, data and video for MIC Series thermal cameras
Order number **MIC-THERCBL-10M**

MIC Thermal Cable 20M

20 meter (62.62 ft) composite cable with plug for power, data and video for MIC Series thermal cameras
Order number **MIC-THERCBL-20M**

MIC Thermal Cable 25M

25 meter (82.02 ft) composite cable with plug for power, data and video for MIC Series thermal cameras
Order number **MIC-THERCBL-25M**

Represented by:

Americas:

Bosch Security Systems, Inc.
130 Perinton Parkway
Fairport, New York, 14450, USA
Phone: +1 800 289 0096
Fax: +1 585 223 9180
security.sales@us.bosch.com
www.boschsecurity.us

Europe, Middle East, Africa:

Bosch Security Systems B.V.
P.O. Box 80002
5617 BA Eindhoven, The Netherlands
Phone: + 31 40 2577 284
Fax: +31 40 2577 330
emea.securitysystems@bosch.com
www.boschsecurity.com

Asia-Pacific:

Robert Bosch (SEA) Pte Ltd, Security
Systems
11 Bishan Street 21
Singapore 573943
Phone: +65 6571 2808
Fax: +65 6571 2699
apr.securitysystems@bosch.com
www.boschsecurity.asia

China:

Bosch (Shanghai) Security Systems Ltd.
201 Building, No. 333 Fuquan Road
North IBP
Changning District, Shanghai
200335 China
Phone +86 21 22181111
Fax: +86 21 22182398
www.boschsecurity.com.cn

America Latina:

Robert Bosch Ltda Security Systems Division
Via Anhanguera, Km 98
CEP 13065-900
Campinas, Sao Paulo, Brazil
Phone: +55 19 2103 2860
Fax: +55 19 2103 2862
al.securitysystems@bosch.com
www.boschsecurity.com