

VR10

Vehicle detection radar
Smart anti-smash and automatic closing

VR10 barrier detection radar is developed to meet the needs of parking lot entrance and exit management . with accurate algorithms, it can detect and identify pedestrians and various vehicles (motorcycles, cars, trucks) .Through linkage with the main board of the barrier , it can achieve anti-smashing and automatically closing boom functions which could protect vehicles and people well. compared to the loop detector ,it also has easier installation and commissioning.

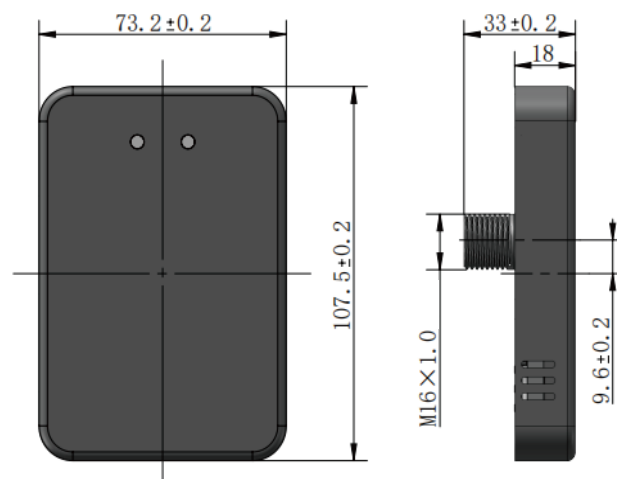
Features

- Support detecting vehicle and people at the same time.
- Easy installation and debugging, saving labor and material cost.
- Stable performance, the radar work is not affected by external environment such as light, dust, rain and snow.
- Detection distance can be adjusted in the range of 0-6m.
- Support 485 communication, can be upgraded and debugged online.

Specification

Model	VR10
Detection Distance	0-6m
Working Frequency	79GHz
Working Voltage (V)	DC 10-16V
Working Current	0.2A
Working Temperature (°C)	-40°C~85°C
Power Consumption (W)	< 2.5
Waterproof Rating	IP67
Interface	RS485 , Relay
Shell Size (mm)	107.5*73.2*18
Package Dimensions (mm)	166*94*97mm
Net Weight	228.4g

Dimensions(mm)



Note: Currently supports straight booms, splicing booms, fence booms, can not be used in places with sliding doors.

