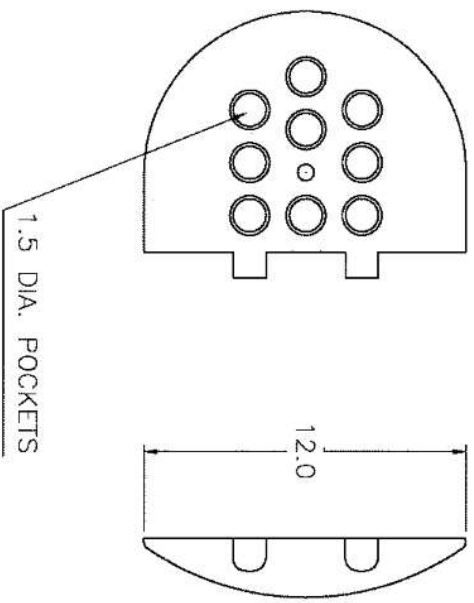
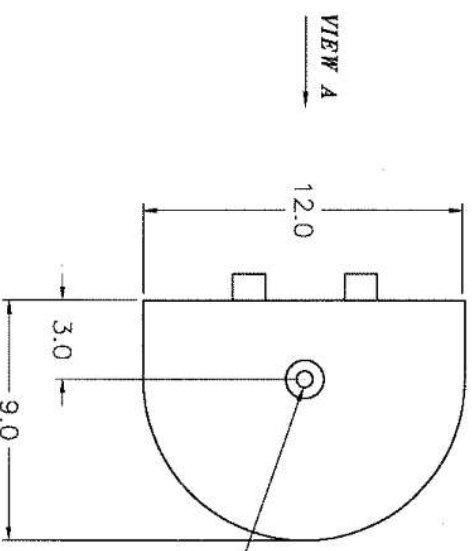


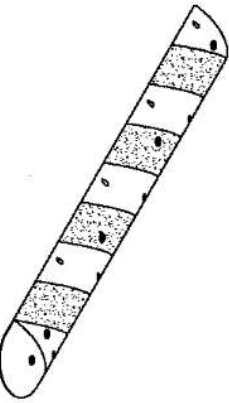
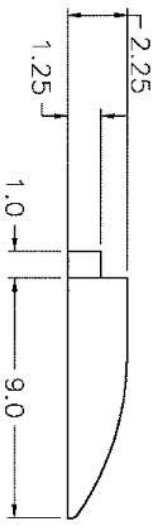
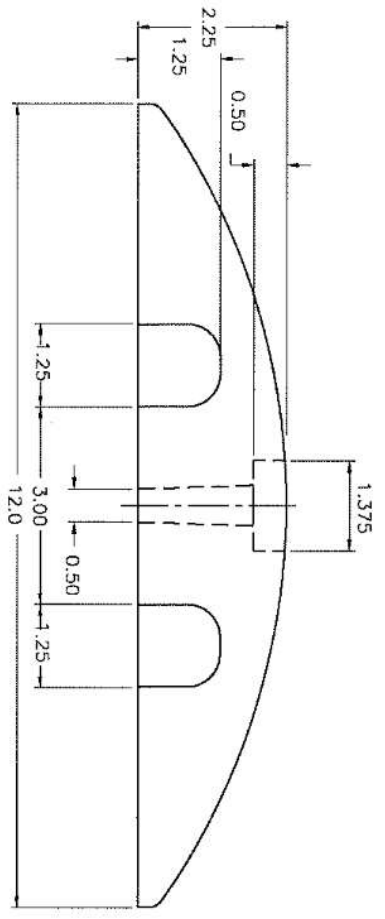
BOTTOM VIEW



BOTTOM VIEW



VIEW A



PRODUCT SPECIFICATIONS:

1. MATERIAL: COMPRESSION MOLDED RECYCLED RUBBER COMPOSITE
2. DIMENSIONS: 9"L x 12"W x 2.25"H
3. ONE MOUNTING HOLE 1/2" DIA. (RECESSED 1-3/8" DIA. AND 1/2" DEEP. TO ACCOMMODATE A WASHER OR SPIKE'S HEAD) ARE PROVIDED FOR INSTALLATION WITH SPIKES OR HILLT ANCHORS
4. COLOR: BLACK
5. WEIGHT OF THE PRODUCT: 6.5 lbs.

REV.	DESCRIPTION	DATE	APPROVED

REVISIONS

GNP TECHNOLOGIES INC.

END CAP

FOR THE RUBBER SPEED BUMPS 2.25" THICK

UNLESS OTHERWISE SPECIFIED: DIMENSIONS ARE IN INCHES DECIMALS TOLERANCES ANGULAR ±.005"	DRAWN S. JONASZ DATE MAR. 13/99	SCALE 1 = 4	DWG NO. - ECSD01-1	SIZE C
CHECKED	DATE	MATERIAL	SHEET	DESIGN S. JONASZ DATE MAR. 13/99

THE DRAWING IS THE PROPERTY OF GNP TECHNOLOGIES INC. AND NOT BE REPRODUCED, PUBLISHED, DISCLOSED TO OTHERS OR USED FOR ANY OTHER PURPOSES WITHOUT WRITTEN PERMISSION FROM GNP TECHNOLOGIES INC.