

## 2 Specifications

Dimensions	27.8 cm x 25.9 cm x 8.32 cm (10.9 in x 10.2 in x 3.3 in)
Color	White
Compatible Lockset (optional)	D101 Lock and Key Set
Compatible Dual Tamper Switch (optional)	ICP-EZTS Tamper Switch D110 Tamper Switch
Material	0.7 mm (22 gauge) cold-rolled steel

## Small Control Panel Enclosure B11



en Installation Guide



### Reading Bosch Security Systems, Inc. Product Date Codes

For Product Date Code information, refer to the Bosch Security Systems, Inc.  
Web site at: <http://www.boschsecurity.com/datecodes/>.



## 1 Description

The B11 Small Control Panel Enclosure houses select Bosch control panels and modules. The enclosures are compatible with an enclosure tamper switch, lock and key set, and can hold one battery.

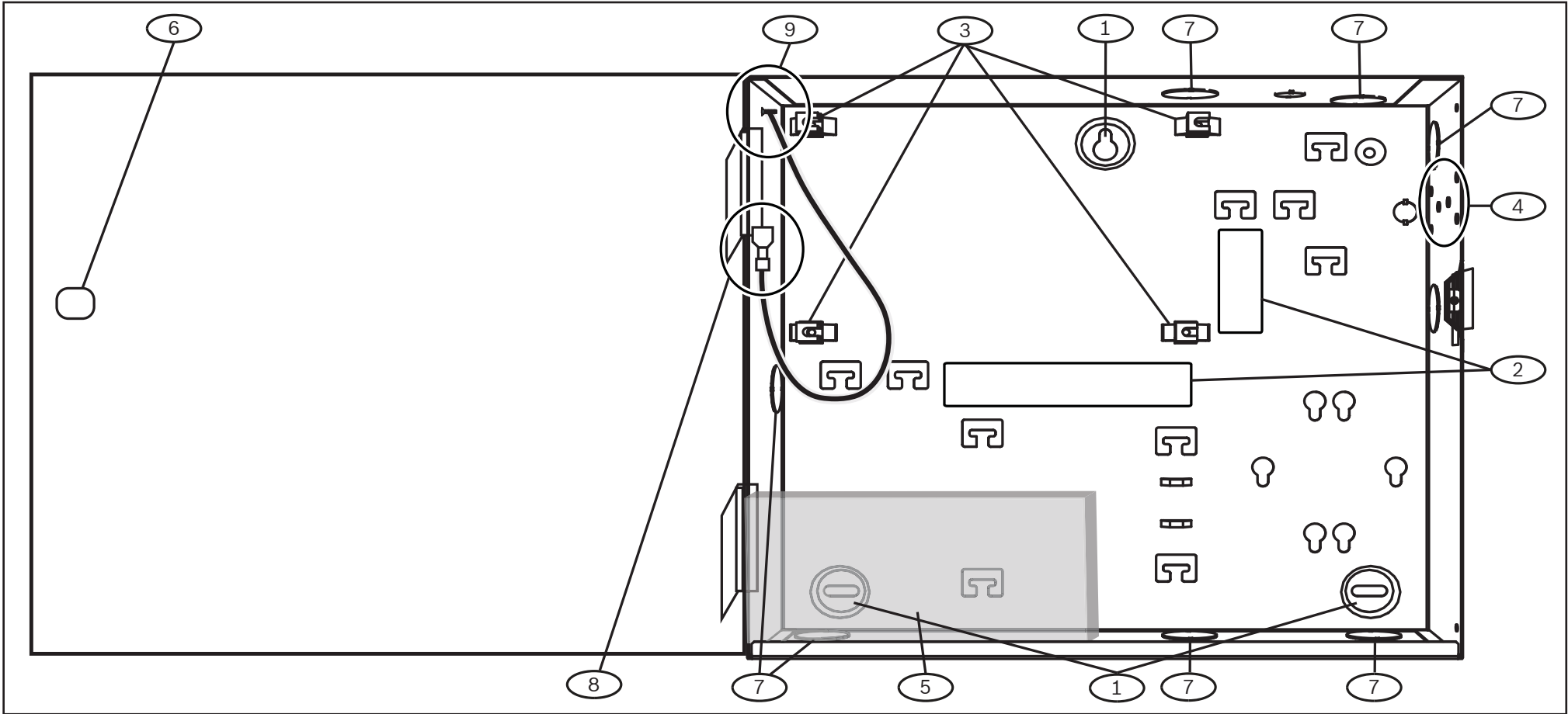


Figure 1.1: B11 Enclosure

Callout	Description
1	Enclosure mounting holes (3) Bosch recommends using #8 screws and appropriate wall anchors to secure the enclosure base to the wall.
2	Wire knockouts (9)
3	Control panel mounting location
4	Tamper switch mounting location
5	Battery mounting location (size 7Ah)
6	Lockset mounting location
7	Conduit knockouts (8) 12.7 mm (1/2 in)
8	Grounding (bonding) connection to enclosure door
9	Do not connect any other wires to this lug. Grounding (bonding) connection for door only.