



Quick Start Guide

Long Range Reader

Models : SAX-R2656

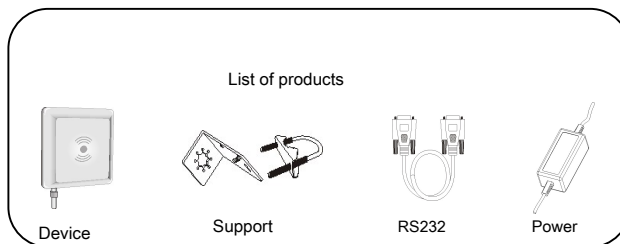
SAX-R2656T

SAX-R2657

SAX-R2657T

Parameter

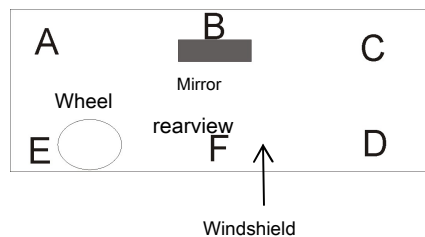
Interface:	SAX-R2656 / 57: RS232 / 485	
	SAX-R2656T / 57T: RS232, TCP / IP	
Distance	1 ~ 8m	
Frequency:	860-928Mhz	
Work temperature:	- twenty °C - + 80 °C	
Working Humidity:	20% -95%	
Working Voltage:	DC12V	
Working current:	> 300mA	
Protocol	SO-18000-6B, EPC GEN2	
Output format	Wiegand 26/34	
Size	SAX-R2656 / 56T	227 * 227 * 60MM
	SAX-R2657 / 57T	450 * 450 * 70MM
Waterproof	IP66	
Related Card	HF01 / 02/03/04	
power supply	100 ~ 240V-50 ~ 60Hz / Max 1A	
Power output	DC12V / 3A	



Wiring diagram

Colour	Function	Description	Models
Red	DC9-15V	Positive	SAX-R2656 / 7 / 6T / 7T
Black	GND	Negative	SAX-R2656 / 7 / 6T / 7T
White	Data 1	Wiegand D1	SAX-R2656 / 7 / 6T / 7T
Green	Data 0	Wiegand D0	SAX-R2656 / 7 / 6T / 7T
Yellow	TXD	RS232 PIN2	SAX-R2656 / 7 / 6T / 7T
Brown	RXD	RS232 PIN3	SAX-R2656 / 7 / 6T / 7T
blue	GND	RS232 GND	SAX-R2656 / 7 / 6T / 7T
Gray	Trigger	\	SAX-R2656 / 7
Orange	485+	\	SAX-R2656 / 7
Purple	485-	\	SAX-R2656 / 7
RJ45	Communication	\	SAX-R2656T / 7T

Label position on vehicle

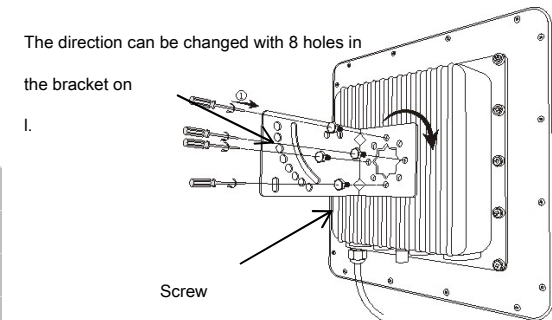


Generally, the parking devices are installed on the left side of the lane, then the sticker should be pasted in the position shown in the picture above. For small vehicles, we suggest position A, B and C, for large trucks or large buses, we suggest positions D, E and F.

The position of the label does not cover the driver's view.

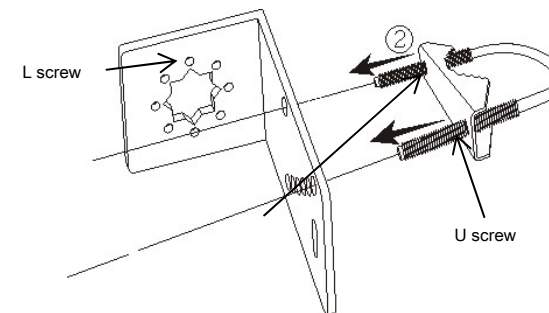
Installation (SAX-R2656 / R2656T)

① To fix the L-bracket to the reader with a hexagonal screw.

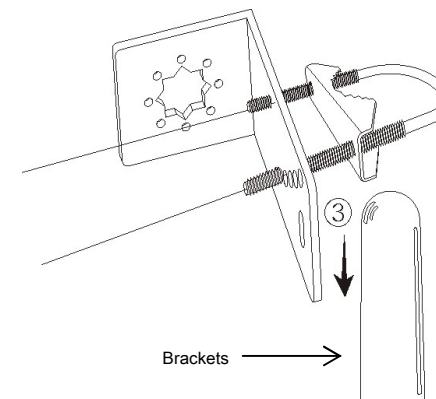


The direction can be changed with 8 holes in the bracket on I.

② To fix the bracket using a U-bolt.



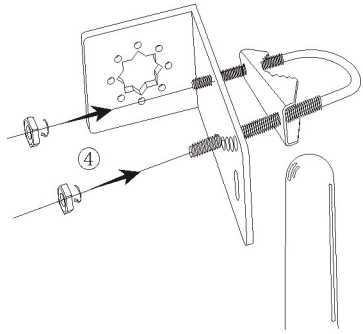
③ To fix the U-bolt and bracket.



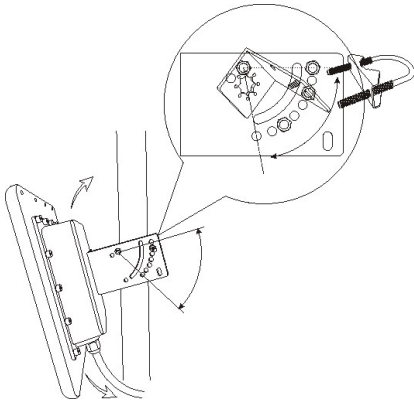
Read the document before you begin. Pay attention to electricity safety, then turn on after confirming that the wiring is correct.



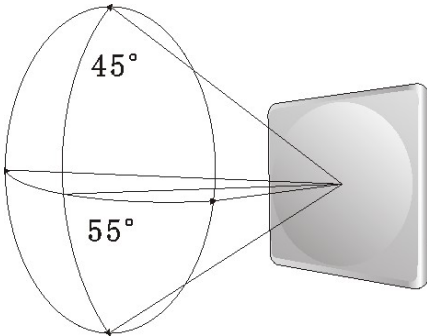
④ To insert the L-bracket into the U-bracket and fix them with a hexagon nut.



⑤ The angle of the reader can be adjusted using the L-bracket.

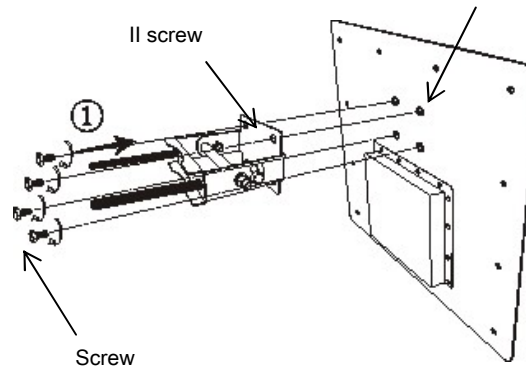


⑥ Note that the reader must be vertical at 45 degrees and the level at 55 degrees. Please refer to it when you install it.

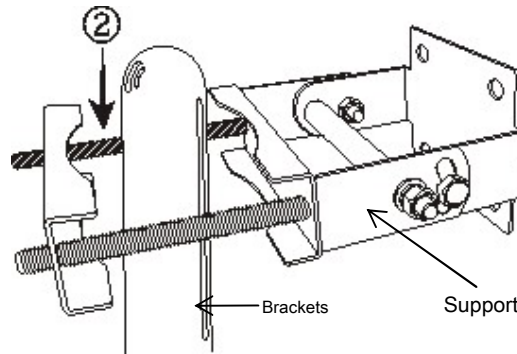


Installation (SAX-R2657 / R2657T)

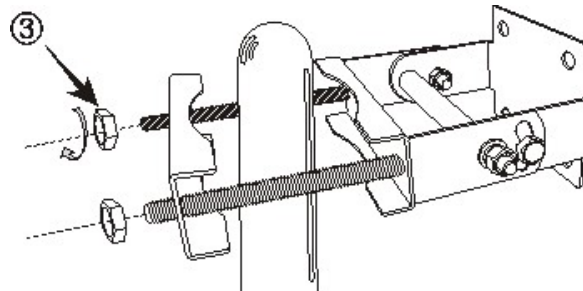
① To secure the L-bracket to the reader with a hex screw



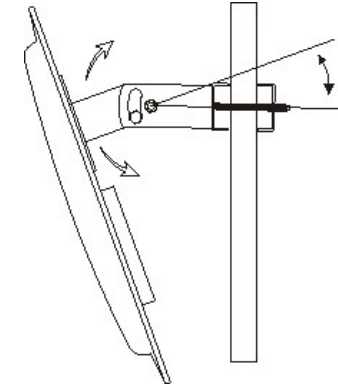
② To set II screw and bracket on brackets.



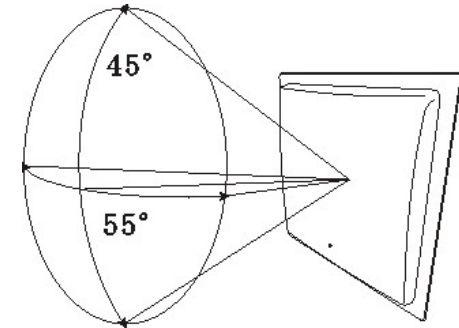
③ To insert the L bracket into the bracket II and fix them with a hex nut.



④ He to Reader angle can be adjusted with a bracket II.



⑥ Note that the reader must be vertical at 45 degrees and the level at 55 degrees. Please refer to it when you install it.



Statement

This manual is only a guide.

Graphics, icons, and illustrations provided in the manual are for explanation and illustration only. There may be differences with specific products, please refer to the actual product.