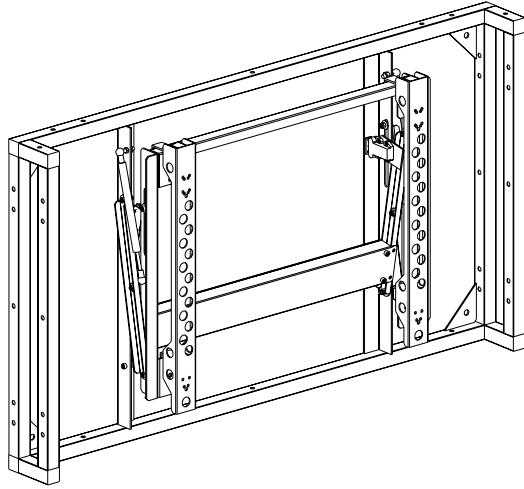


HI-LS550-WS

55" Bracket of Front-maintenance



Features :

- Elegant appearance
- Front maintenance installation, easy and convenient
- Compatible with the Dahua LS550UCM-EF LCD video wall

Technical Specification

Model

| | |
|-------|-------------|
| Model | HI-LS550-WS |
|-------|-------------|

General

| | |
|-------------------------|--------------|
| Support Screen Size | 55" |
| Suitable LCD Video Wall | LS550UCM-EF |
| Weight | 18kg(39.7lb) |
| Maintenance Mode | Front |

Dimensions(mm)

