

DHI-ASG2900C

Tripod Turnstile



- Supports anti-collision
- Supports anti-trailing
- Supports LED light prompts
- Supports locking the arms if no one passes after the unlock duration

Series Overview

The ASG2 series tripod turnstile is an access control equipment fitted with a control board and other modules. It can form a complete access control system if expanded with other devices, such as IC card readers, an access controller, and a face recognition module.

Scene

Applicable to residential areas, schools, government facilities, factories, industrial parks, office buildings, and more.

Technical Specification

Basic

Dimensions	1200 mm × 260 mm × 980 mm (47.24" × 10.24" × 38.58")
Surface Treatment	Ink wire drawing
Casing	SUS304
Arm Material	SUS304

Function

Anti-collision	Yes
Anti-trailing	Yes
Sound and Light Prompt	LED light prompts

Performance

Unlock Duration	5 s
-----------------	-----

MCBF	≥ 1,000,000
Passing Frequency	20–30 people/minute
Passage Width	550 mm (21.65")

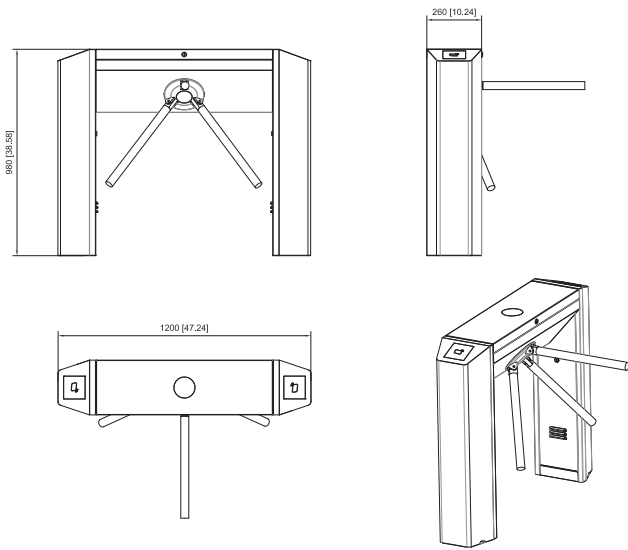
General

Net Weight	30.0 kg (66.14 lb)
Gross Weight	53.0 kg (116.85 lb)
Protection Grade	IPX4
Power Consumption	Standby ≤ 10 W; working: ≤ 40 W
Packaging Material	wooden box
Operating Temperature	–20 °C to +60 °C (–4 °F to +140 °F)
Operating Humidity	10%–90% (RH) (non-condensing)
Operating Environment	Indoors and outdoors

Ordering Information

Type	Model	Description
Tripod Turnstile Cabinet	DHI-ASG2000C	Tripod turnstile cabinet for outdoor use
Tripod Turnstile	DHI-ASG2900C	Tripod turnstile for outdoor use and without installation holes for face recognition access controllers

Dimensions (mm[inch])



Application

