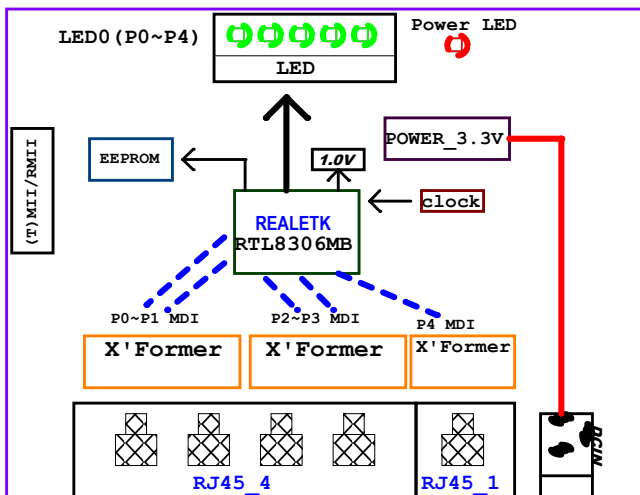
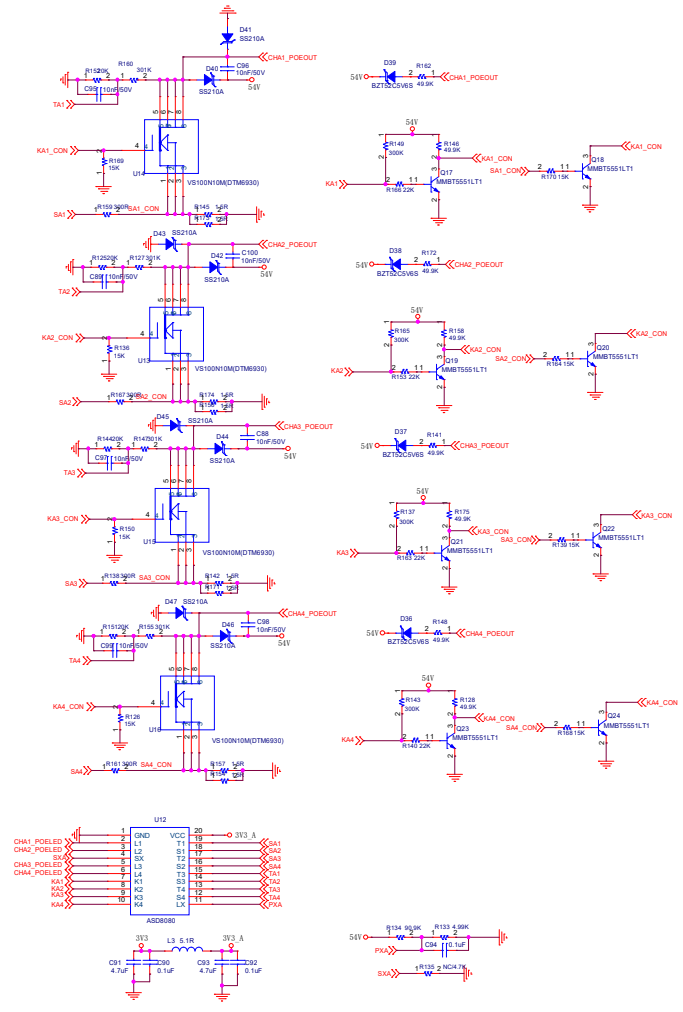


RTL8306MB (9X9 QFN64 EPAD) Demo-Board Block Diagram



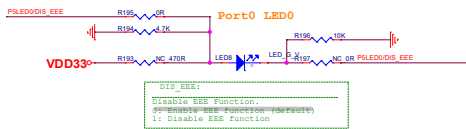
REVISION HISTORY

Revision	Release Date	Summary
v1.0	2017-05-12	First Release
v1.1	2017-09-18	Remove DIS_LD Pin, Add SLP_WKP, Modify Pin40 Description, .
v1.2	2018-01-26	add MII_LINK_STA pin pull up with 4.7k resistor



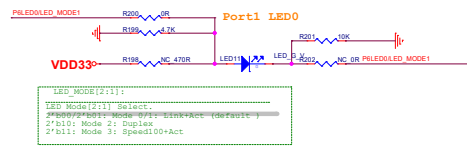
C		D		E	
C		D		E	
C		D		E	

Issued: May 18, 2021



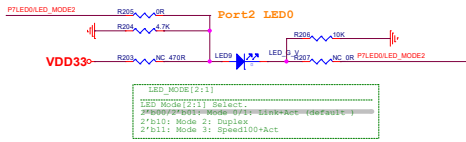
```

VDD33<
R186<4.7K
R187<4.7K
R188<470R
LED0
R196<10K
R197<10K
NC OR PLED0D05_EEE
Disable EEE function
  
```



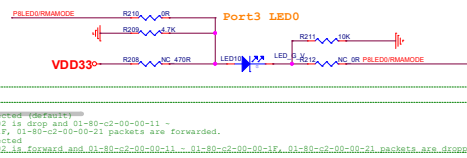
```

LED_MODE[2:1]:
LED Mode[2:1] Select.
0: Mode 0: Speed100+Act
1: Mode 1: Duplex
2: Mode 2: Duplex
3: Mode 3: Speed100+Act
  
```



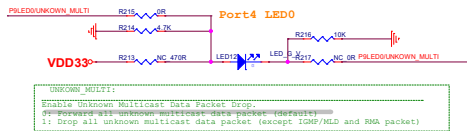
```

LED_MODE[2:1]:
LED Mode[2:1] Select.
0: Mode 0: Speed100+Act
1: Mode 1: Duplex
2: Mode 2: Duplex
3: Mode 3: Speed100+Act
  
```



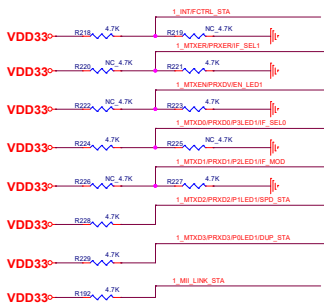
```

UNKNOWN_MULTI:
MODE Select.
0: Mode 0: Speed100+Act
1: Mode 1: Duplex
2: Mode 2: Duplex
3: Mode 3: Speed100+Act
  
```



```

UNKNOWN_MULTI:
Enable Unknown Multicast Data Packet Drop.
0: Disable Unknown Multicast Data Packet Drop
1: Drop all unknown multicast data packet (except IGMP, MLD and PMA packet)
  
```



```

INTFCtrl_STA:
Force MACS Flow Control.
0: MACS is disabled
1: MACS is enabled

IF_SEL[1:0]:
MACS Interface Select.
00: Disable MACS interface (default)
01: RMII interface
10: RMII interface
11: RMII interface

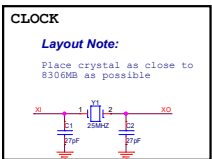
EN_LED0:
Enable LED0 group.
0: Disable LED0 group
1: Enable LED0

IF_MOD:
MACS Interface Mode.
0: MACS is 10Mbps
1: MACS is 100Mbps

SPEED_STA:
Force MACS Speed.
0: MACS is 10Mbps
1: MACS is 100Mbps

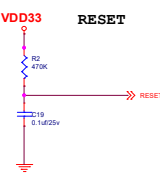
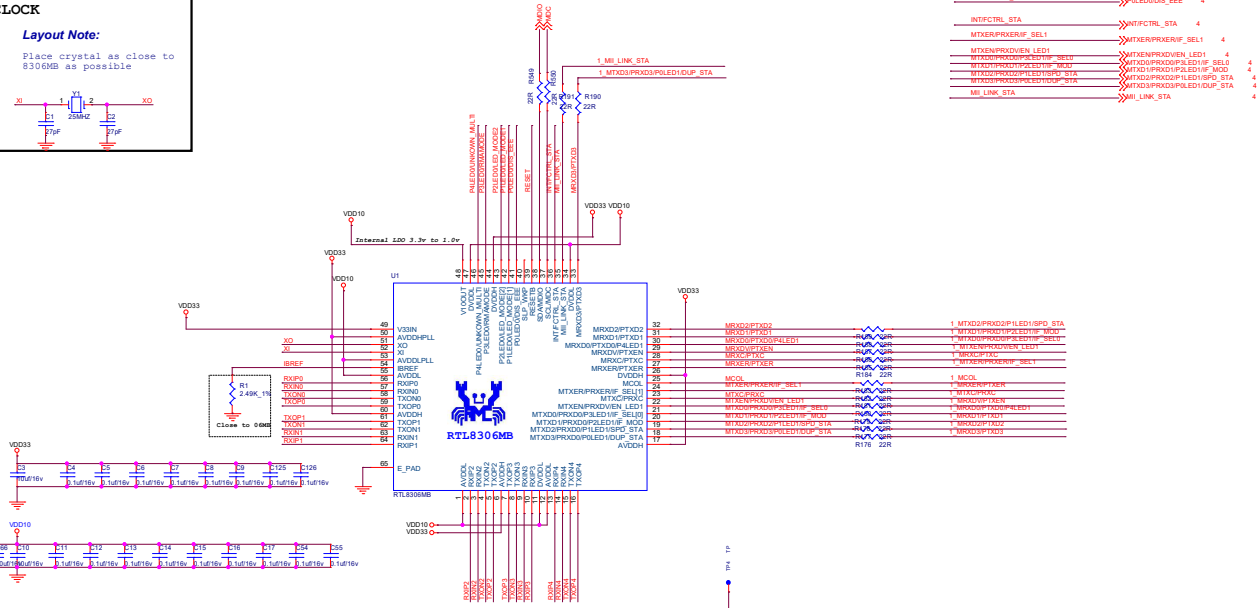
DUP_STA:
Force MACS Duplex.
0: MACS is half duplex
1: MACS is full duplex
  
```



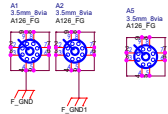
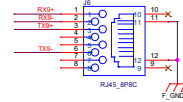
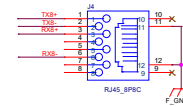
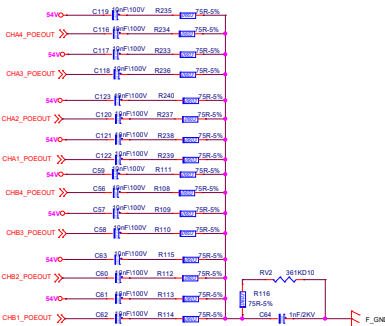
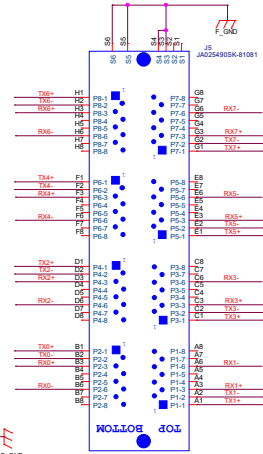
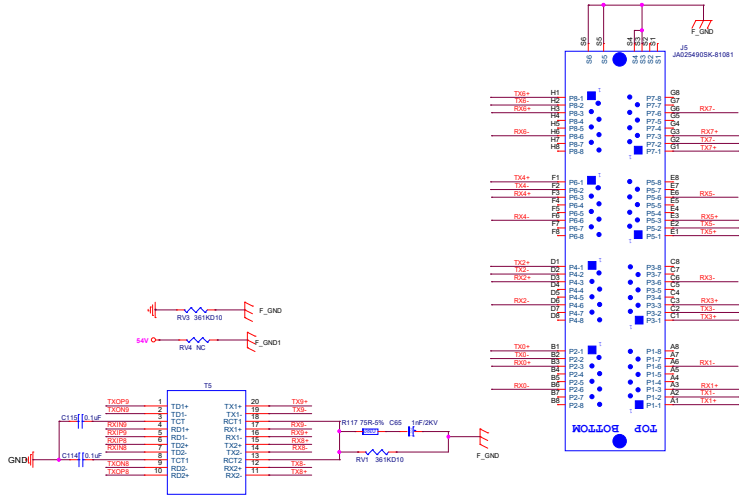
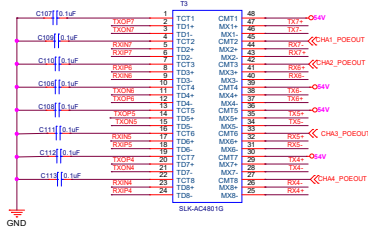
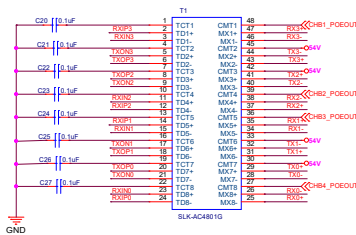


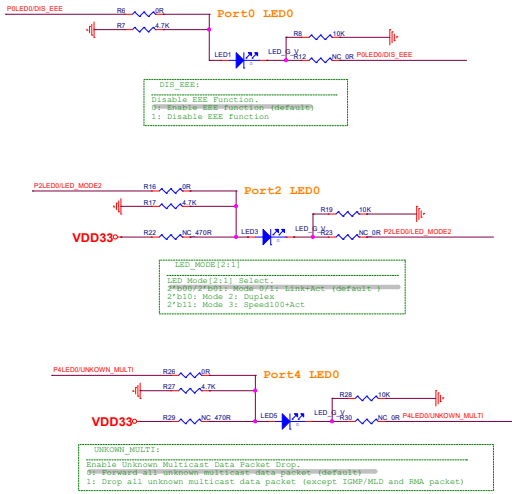
Led & Strapping

PALED0ANK0WN_MULT1	PALED0ANK0WN_MULT1	4
PALED0PRV0AD0CE	PALED0PRV0AD0CE	4
PALED0PRV0AD0CE2	PALED0PRV0AD0CE2	4
PALED0LED_M0D0E1	PALED0LED_M0D0E1	4
PALED0D0S_E0E0	PALED0D0S_E0E0	4
INTFCtrl_STA	INTFCtrl_STA	4
MTXERPRXERIF_SEL1	MTXERPRXERIF_SEL1	4
MTXENPR0DVEN_LED1	MTXENPR0DVEN_LED1	4
MTXD0PR0XD0PLED0IF_SEL0	MTXD0PR0XD0PLED0IF_SEL0	4
MTXD0PR0XD0PLED0IF_SEL1	MTXD0PR0XD0PLED0IF_SEL1	4
MTXD0PR0XD0PLED0IF_MOD	MTXD0PR0XD0PLED0IF_MOD	4
MTXD0PR0XD0PLED0IF_STA	MTXD0PR0XD0PLED0IF_STA	4
MTXD0PR0XD0PLED0IF_STA2	MTXD0PR0XD0PLED0IF_STA2	4
MTXD0PR0XD0PLED0IF_STA3	MTXD0PR0XD0PLED0IF_STA3	4
MI_LINK_STA	MI_LINK_STA	4



1 MTXD0PR0XD0PLED0IF_STA	1 MTXD0PR0XD0PLED0IF_STA	4
1 MTXD0PR0XD0PLED0IF_MOD	1 MTXD0PR0XD0PLED0IF_MOD	4
1 MTXD0PR0XD0PLED0IF_SEL0	1 MTXD0PR0XD0PLED0IF_SEL0	4
1 MTXD0PR0XD0PLED0IF_SEL1	1 MTXD0PR0XD0PLED0IF_SEL1	4
1 MTXENPR0DVEN_LED1	1 MTXENPR0DVEN_LED1	4
1 MTXERPRXERIF_SEL1	1 MTXERPRXERIF_SEL1	4
1 MCOL	1 MCOL	4
1 MCOLPRXEN	1 MCOLPRXEN	4
1 MCOLPTXEN	1 MCOLPTXEN	4
1 MCOLPFXEN	1 MCOLPFXEN	4
1 MCOLPFXEN2	1 MCOLPFXEN2	4
1 MCOLPFXEN3	1 MCOLPFXEN3	4
1 MCOLPFXEN4	1 MCOLPFXEN4	4
1 MCOLPFXEN5	1 MCOLPFXEN5	4
1 MCOLPFXEN6	1 MCOLPFXEN6	4
1 MCOLPFXEN7	1 MCOLPFXEN7	4
1 MCOLPFXEN8	1 MCOLPFXEN8	4
1 MCOLPFXEN9	1 MCOLPFXEN9	4
1 MCOLPFXEN10	1 MCOLPFXEN10	4
1 MCOLPFXEN11	1 MCOLPFXEN11	4
1 MCOLPFXEN12	1 MCOLPFXEN12	4
1 MCOLPFXEN13	1 MCOLPFXEN13	4
1 MCOLPFXEN14	1 MCOLPFXEN14	4
1 MCOLPFXEN15	1 MCOLPFXEN15	4
1 MCOLPFXEN16	1 MCOLPFXEN16	4
1 MCOLPFXEN17	1 MCOLPFXEN17	4
1 MCOLPFXEN18	1 MCOLPFXEN18	4
1 MCOLPFXEN19	1 MCOLPFXEN19	4
1 MCOLPFXEN20	1 MCOLPFXEN20	4
1 MCOLPFXEN21	1 MCOLPFXEN21	4
1 MCOLPFXEN22	1 MCOLPFXEN22	4
1 MCOLPFXEN23	1 MCOLPFXEN23	4
1 MCOLPFXEN24	1 MCOLPFXEN24	4
1 MCOLPFXEN25	1 MCOLPFXEN25	4
1 MCOLPFXEN26	1 MCOLPFXEN26	4
1 MCOLPFXEN27	1 MCOLPFXEN27	4
1 MCOLPFXEN28	1 MCOLPFXEN28	4
1 MCOLPFXEN29	1 MCOLPFXEN29	4
1 MCOLPFXEN30	1 MCOLPFXEN30	4
1 MCOLPFXEN31	1 MCOLPFXEN31	4
1 MCOLPFXEN32	1 MCOLPFXEN32	4
1 MCOLPFXEN33	1 MCOLPFXEN33	4
1 MCOLPFXEN34	1 MCOLPFXEN34	4
1 MCOLPFXEN35	1 MCOLPFXEN35	4
1 MCOLPFXEN36	1 MCOLPFXEN36	4
1 MCOLPFXEN37	1 MCOLPFXEN37	4
1 MCOLPFXEN38	1 MCOLPFXEN38	4
1 MCOLPFXEN39	1 MCOLPFXEN39	4
1 MCOLPFXEN40	1 MCOLPFXEN40	4
1 MCOLPFXEN41	1 MCOLPFXEN41	4
1 MCOLPFXEN42	1 MCOLPFXEN42	4
1 MCOLPFXEN43	1 MCOLPFXEN43	4
1 MCOLPFXEN44	1 MCOLPFXEN44	4
1 MCOLPFXEN45	1 MCOLPFXEN45	4
1 MCOLPFXEN46	1 MCOLPFXEN46	4
1 MCOLPFXEN47	1 MCOLPFXEN47	4
1 MCOLPFXEN48	1 MCOLPFXEN48	4
1 MCOLPFXEN49	1 MCOLPFXEN49	4
1 MCOLPFXEN50	1 MCOLPFXEN50	4
1 MCOLPFXEN51	1 MCOLPFXEN51	4
1 MCOLPFXEN52	1 MCOLPFXEN52	4
1 MCOLPFXEN53	1 MCOLPFXEN53	4
1 MCOLPFXEN54	1 MCOLPFXEN54	4
1 MCOLPFXEN55	1 MCOLPFXEN55	4
1 MCOLPFXEN56	1 MCOLPFXEN56	4
1 MCOLPFXEN57	1 MCOLPFXEN57	4
1 MCOLPFXEN58	1 MCOLPFXEN58	4
1 MCOLPFXEN59	1 MCOLPFXEN59	4
1 MCOLPFXEN60	1 MCOLPFXEN60	4
1 MCOLPFXEN61	1 MCOLPFXEN61	4
1 MCOLPFXEN62	1 MCOLPFXEN62	4
1 MCOLPFXEN63	1 MCOLPFXEN63	4
1 MCOLPFXEN64	1 MCOLPFXEN64	4
1 MCOLPFXEN65	1 MCOLPFXEN65	4
1 MCOLPFXEN66	1 MCOLPFXEN66	4
1 MCOLPFXEN67	1 MCOLPFXEN67	4
1 MCOLPFXEN68	1 MCOLPFXEN68	4
1 MCOLPFXEN69	1 MCOLPFXEN69	4
1 MCOLPFXEN70	1 MCOLPFXEN70	4
1 MCOLPFXEN71	1 MCOLPFXEN71	4
1 MCOLPFXEN72	1 MCOLPFXEN72	4
1 MCOLPFXEN73	1 MCOLPFXEN73	4
1 MCOLPFXEN74	1 MCOLPFXEN74	4
1 MCOLPFXEN75	1 MCOLPFXEN75	4
1 MCOLPFXEN76	1 MCOLPFXEN76	4
1 MCOLPFXEN77	1 MCOLPFXEN77	4
1 MCOLPFXEN78	1 MCOLPFXEN78	4
1 MCOLPFXEN79	1 MCOLPFXEN79	4
1 MCOLPFXEN80	1 MCOLPFXEN80	4
1 MCOLPFXEN81	1 MCOLPFXEN81	4
1 MCOLPFXEN82	1 MCOLPFXEN82	4
1 MCOLPFXEN83	1 MCOLPFXEN83	4
1 MCOLPFXEN84	1 MCOLPFXEN84	4
1 MCOLPFXEN85	1 MCOLPFXEN85	4
1 MCOLPFXEN86	1 MCOLPFXEN86	4
1 MCOLPFXEN87	1 MCOLPFXEN87	4
1 MCOLPFXEN88	1 MCOLPFXEN88	4
1 MCOLPFXEN89	1 MCOLPFXEN89	4
1 MCOLPFXEN90	1 MCOLPFXEN90	4
1 MCOLPFXEN91	1 MCOLPFXEN91	4
1 MCOLPFXEN92	1 MCOLPFXEN92	4
1 MCOLPFXEN93	1 MCOLPFXEN93	4
1 MCOLPFXEN94	1 MCOLPFXEN94	4
1 MCOLPFXEN95	1 MCOLPFXEN95	4
1 MCOLPFXEN96	1 MCOLPFXEN96	4
1 MCOLPFXEN97	1 MCOLPFXEN97	4
1 MCOLPFXEN98	1 MCOLPFXEN98	4
1 MCOLPFXEN99	1 MCOLPFXEN99	4
1 MCOLPFXEN100	1 MCOLPFXEN100	4





```

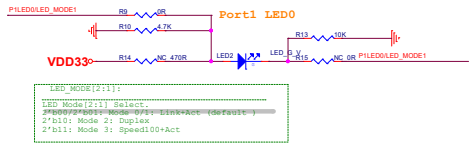
DIS_EEE:
Disable EEE Function.
0'b11111111: Mode 0: Disabled
1: Disable EEE function
  
```

```

LED_MODE[2:1]:
LED Mode[2:1] Select.
0'b00: Mode 0: Disabled
2'b10: Mode 2: Duplex
2'b11: Mode 3: Speed100+Act
  
```

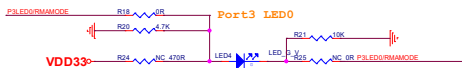
```

UNKNOWN_MULTI:
Enable Unknown Multicast Data Parser Stop.
0'b00000000: Mode 0: Disabled
1: Stop all unknown multicast data packet (except ICMP/MD and RMA packet)
  
```



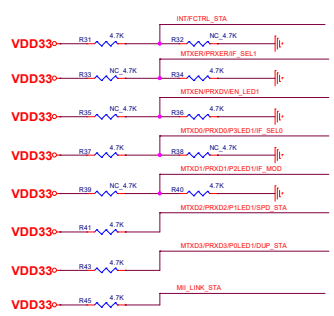
```

LED_MODE[2:1]:
LED Mode[2:1] Select.
0'b00: Mode 0: Disabled
2'b10: Mode 2: Duplex
2'b11: Mode 3: Speed100+Act
  
```



```

UNKNOWN_MULTI:
RMA Mode Select.
0'b00000000: Mode 0: Disabled
01-80-c2-00-00-02 is drop and 01-80-c2-00-00-11 -
01-80-c2-00-00-1f, 01-80-c2-00-00-21 packets are forwarded.
1: Model 19 selected
01-80-c2-00-00-03 is forward and 01-80-c2-00-00-11, 01-80-c2-00-00-1f, 01-80-c2-00-00-21 packets are dropped.
  
```



```

FCtrl_STA:
Force MACS Flow Control.
0: MACS is disabled
1: MACS is enabled

IF_SEL[1:0]:
MACS Interface Select.
00: Disable MACS interface (default)
01: DM1 interface
10: TM1 interface
11: SM1 interface

EN_LED1:
Enable LED1 group.
0: LED1 group is disabled
1: Enable LED1

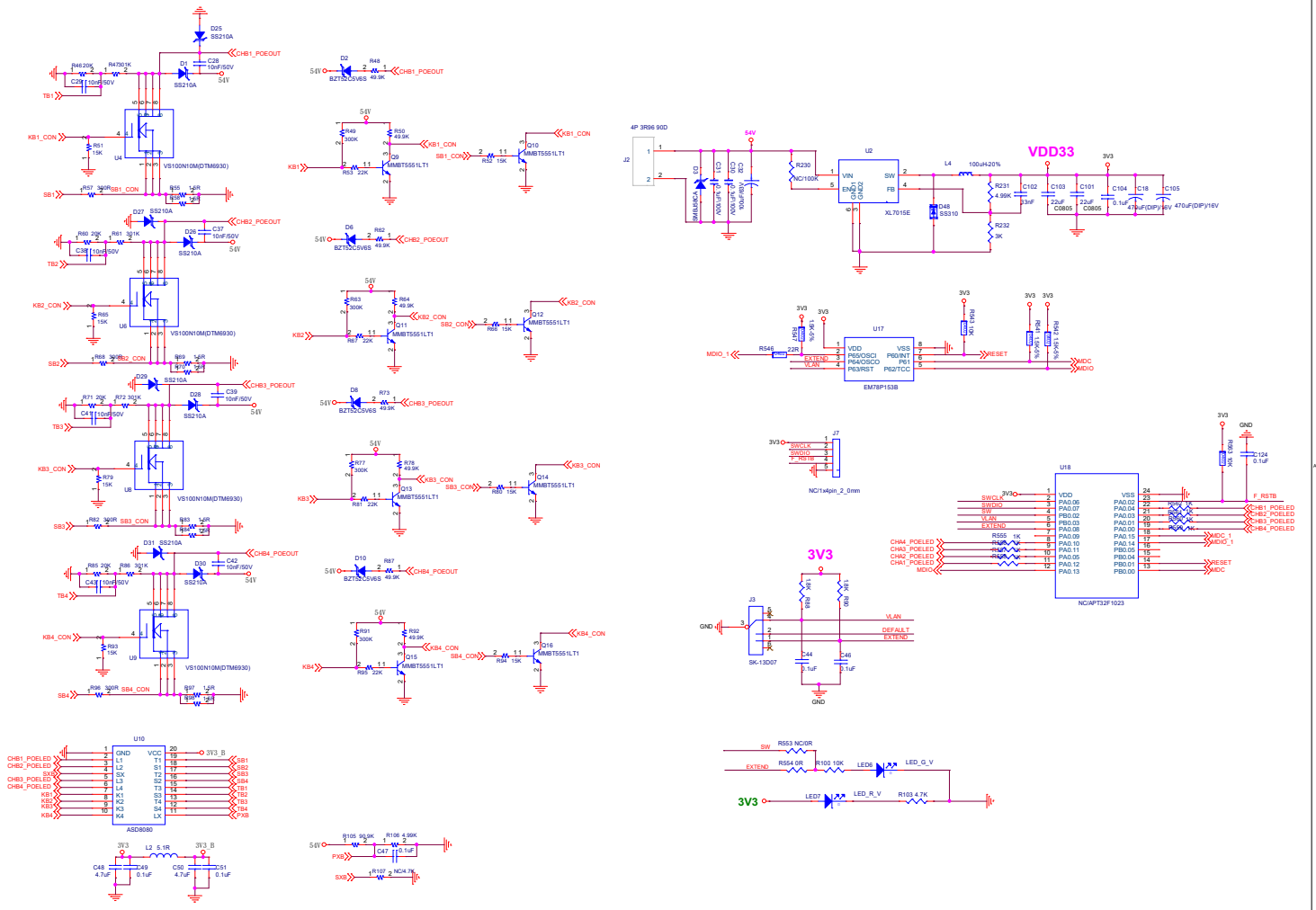
IF_MODE:
MACS Interface Mode.
0'b00: Mode 0: Disabled
1: SV1 mode

SPD_STA:
Force MACS Speed.
0: MACS is 10Mbps
1: MACS is 100Mbps

DUP_STA:
Force MACS Duplex.
0: MACS is half duplex
1: MACS is full duplex

MI_LINK_STA:
Force MACS link up or linkdown.
0: MACS is linkdown (default internal pull low)
1: MACS is linkup
  
```

Led & Strapping		
PLED4UNKNOWN_MULTI	PLED4UNKNOWN_MULTI	2
PLED2D0S_MODE2	PLED2D0S_MODE2	2
PLED0D0S_EEE	PLED0D0S_EEE	2
INTFCtrl_STA	INTFCtrl_STA	2
MTXENPRXERIF_SEL1	MTXENPRXERIF_SEL1	2
MTXENPRXOVEN_LED1	MTXENPRXOVEN_LED1	2
MTX00PRXDPLEDHIF_SELO	MTX00PRXDPLEDHIF_SELO	2
MTX01PRXDPLEDHIF_MOO	MTX01PRXDPLEDHIF_MOO	2
MTX02PRXDPLEDHIF_SPD_STA	MTX02PRXDPLEDHIF_SPD_STA	2
MTX03PRXDPLEDHIF_STA	MTX03PRXDPLEDHIF_STA	2
MI_LINK_STA	MI_LINK_STA	4



C		Rev	
C		Rev	
C		Rev	
C		Rev	