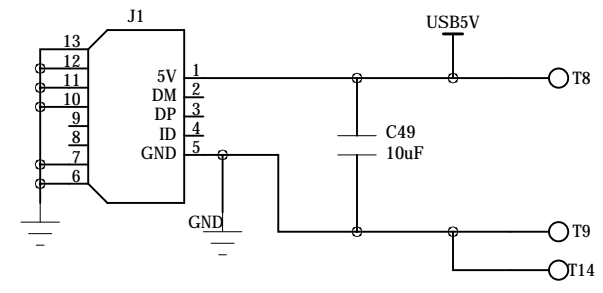
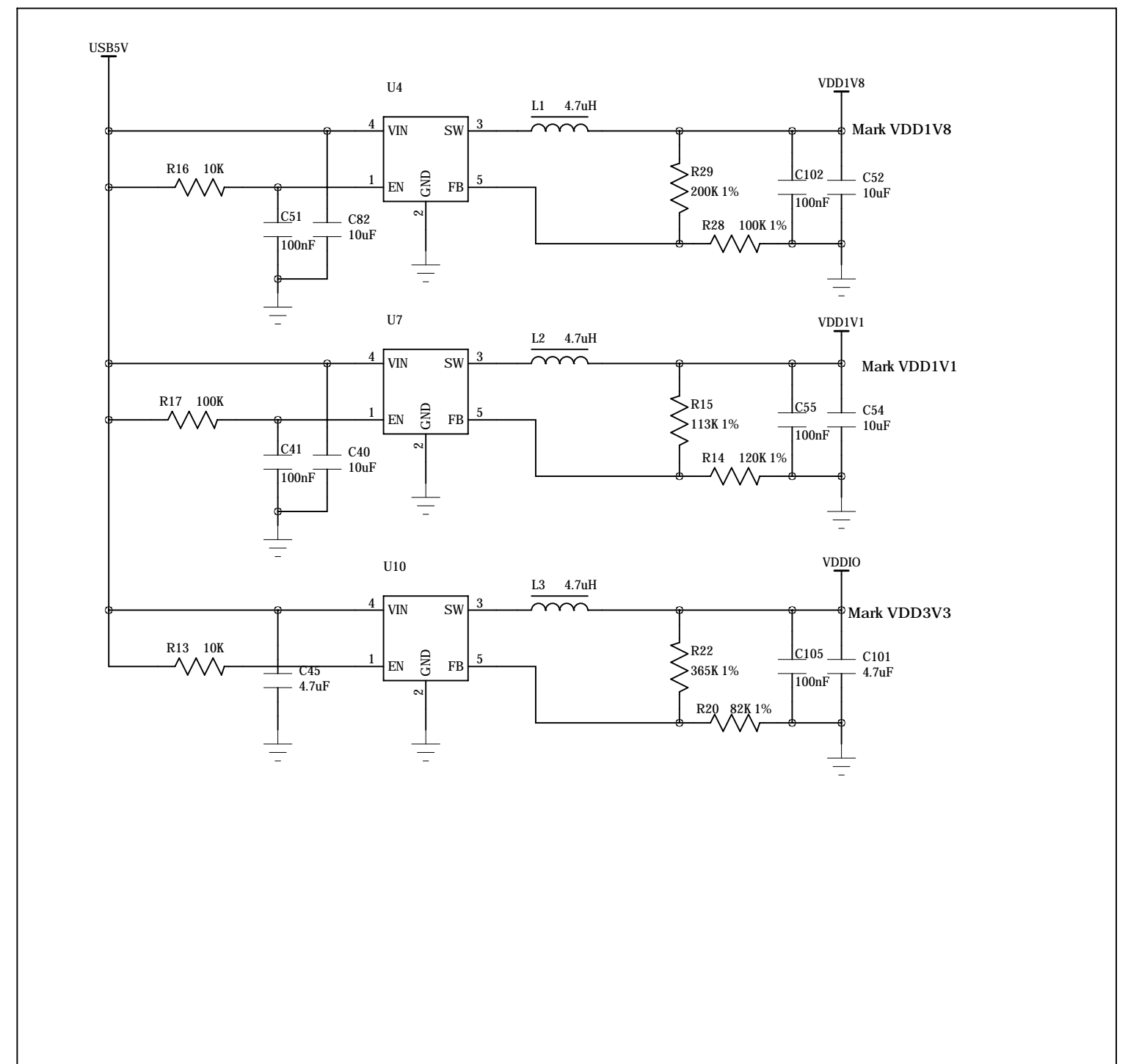
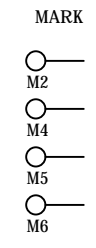


# 5V input

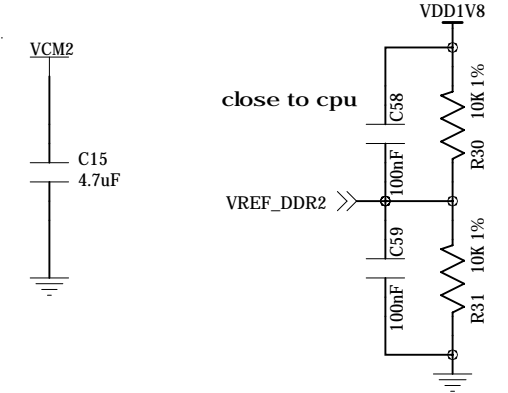
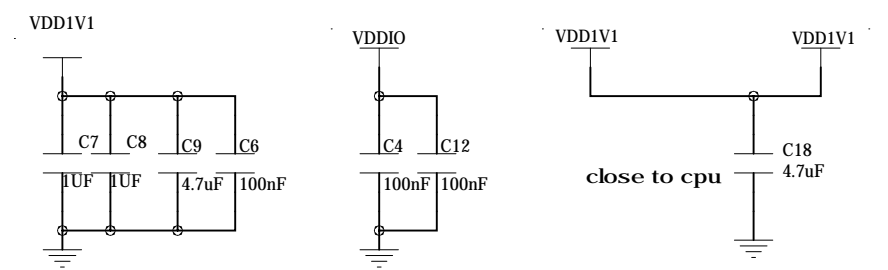
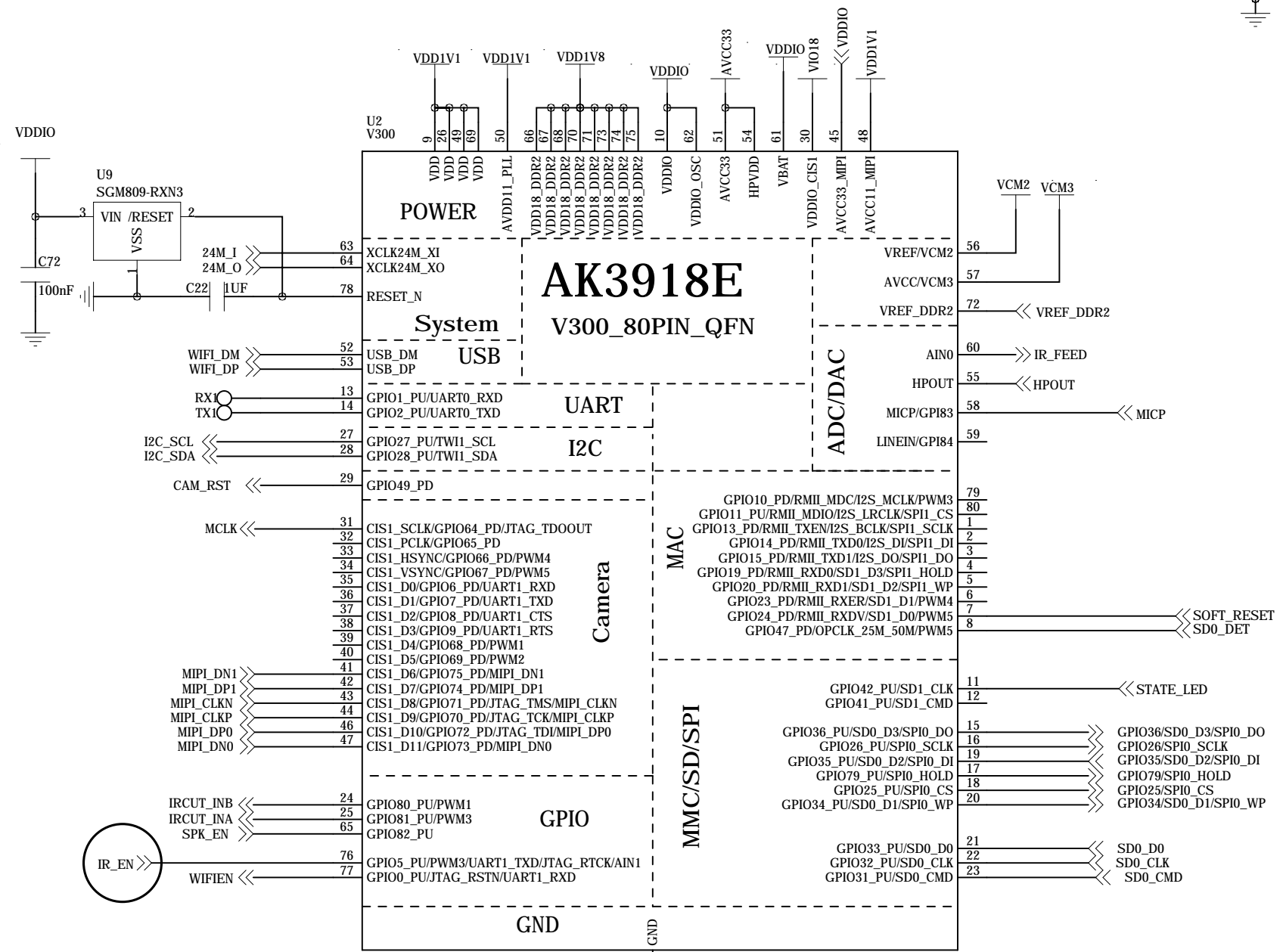
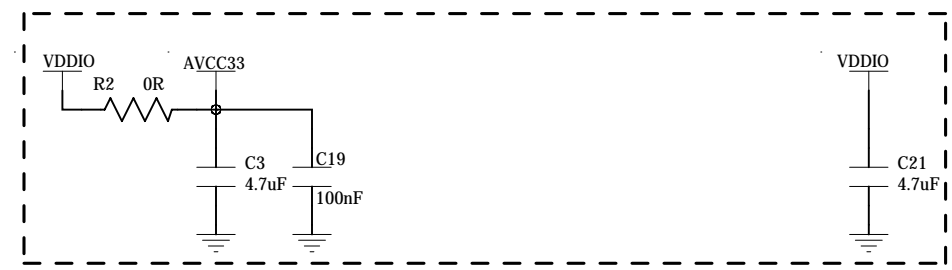
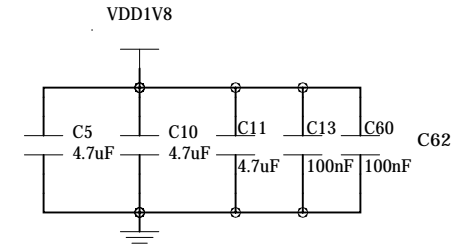
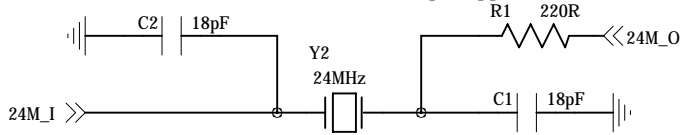


## SCREW



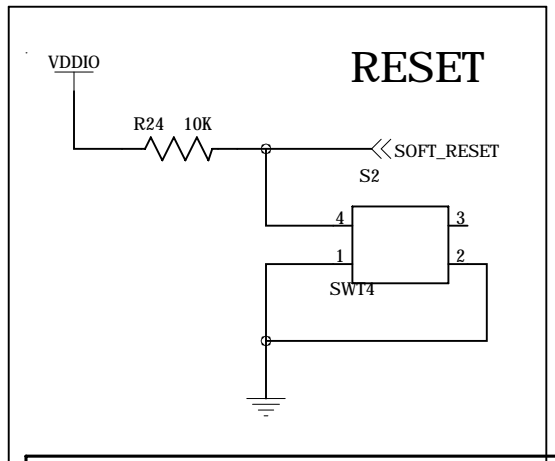
1. 1.1.1.1		
1.1.1.1		
1.1.1.1	V0.1.0	1.1.1.1 20180628
1.1.1.1	1	1.1.1.1 5

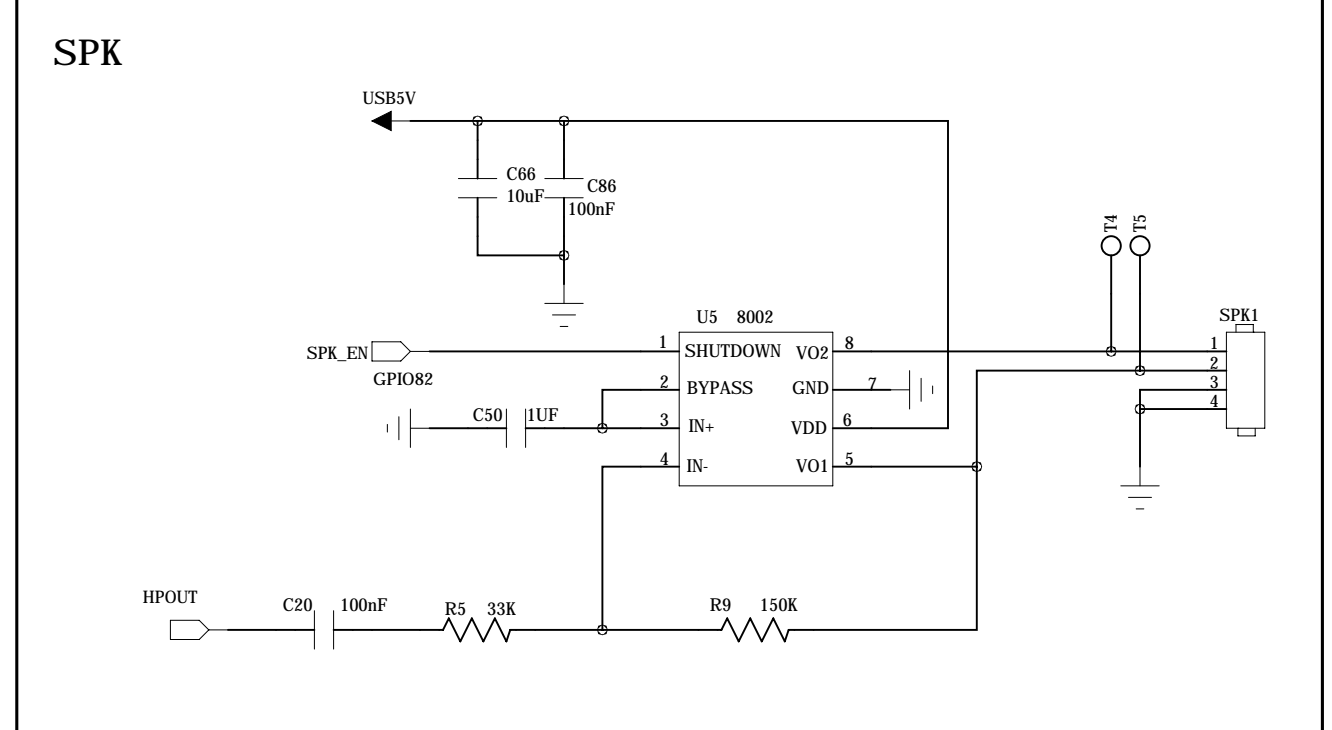
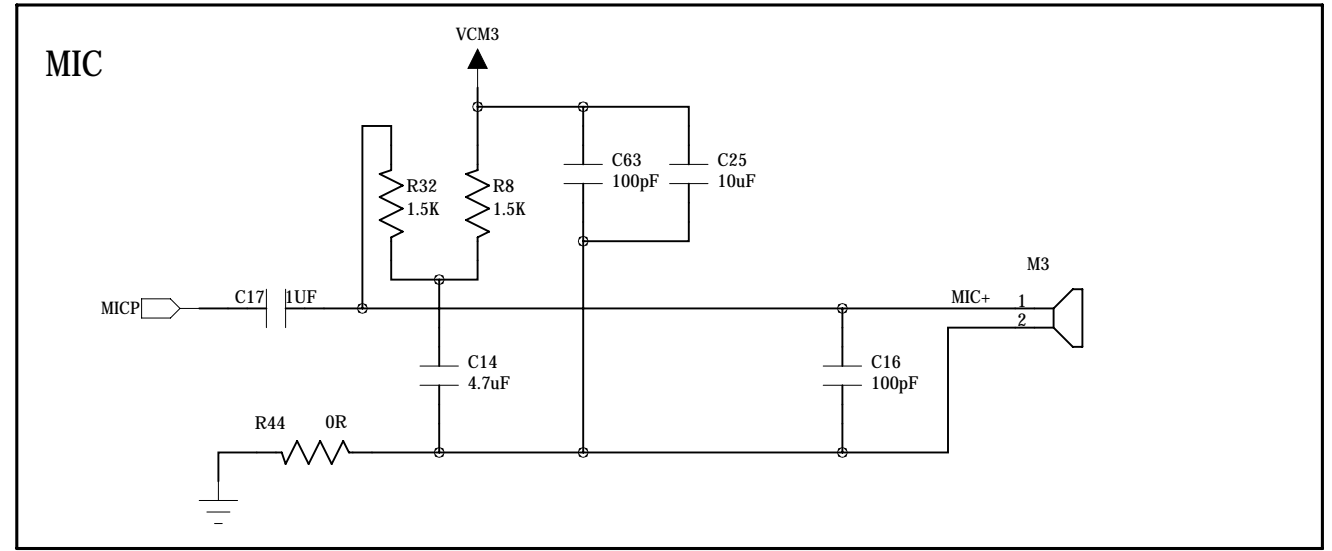
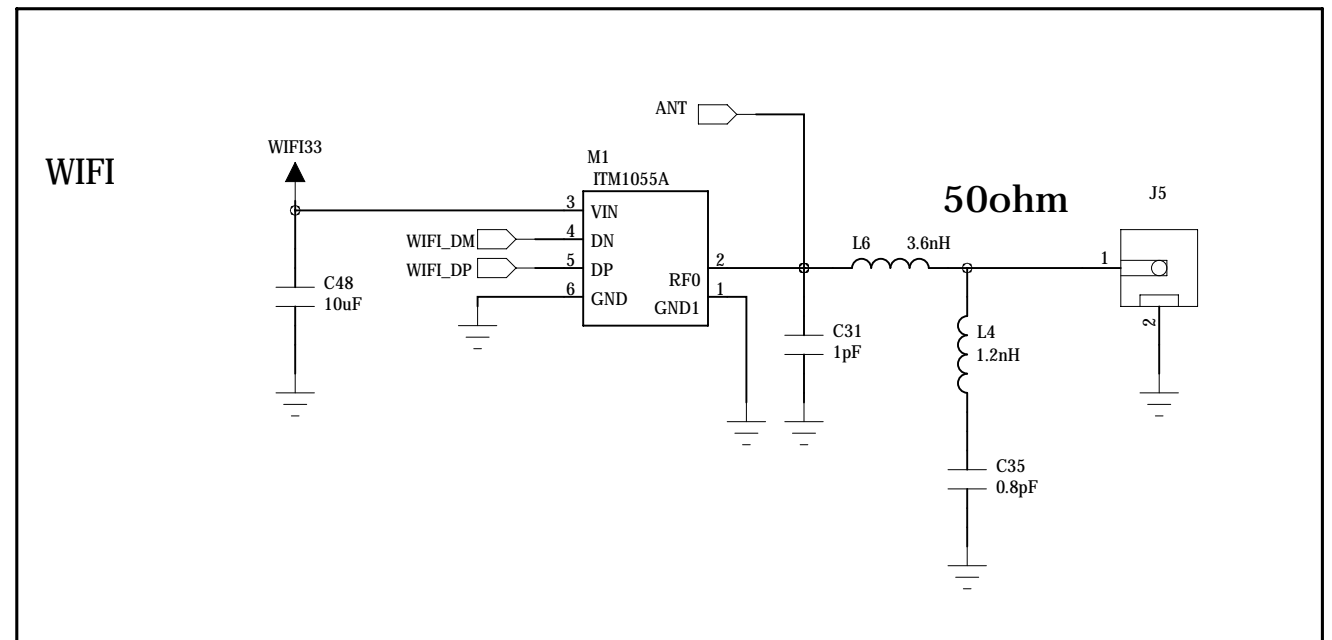
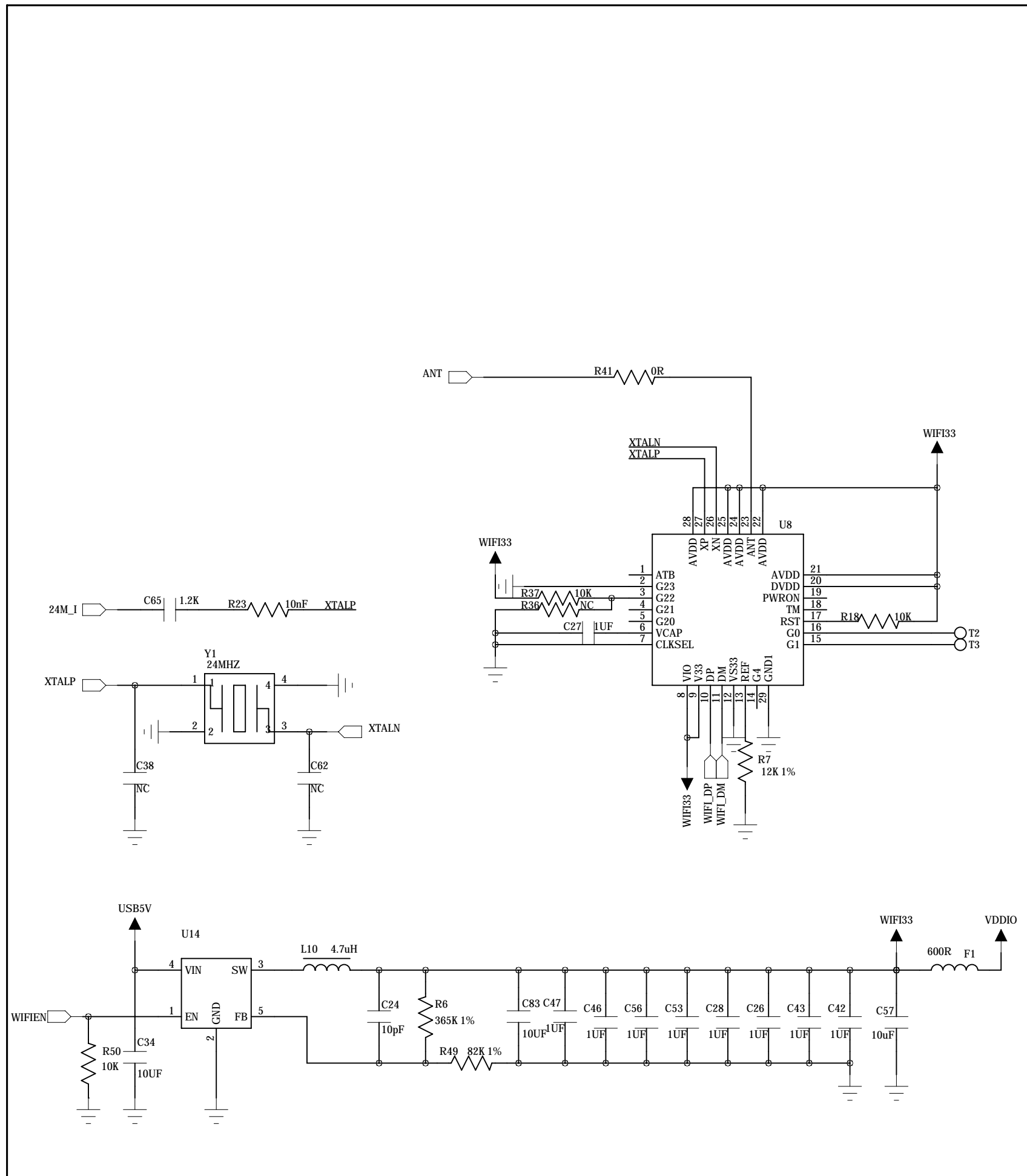
for COB wifi:  
C1=C2=22pF  
Y2=24M 12pf 20ppm



### GPIO - ÖZGEÇERİ

GPIO	FUNC1	FUNC2	FUNC3	I/O
GPIO5_PU				1
GPIO49_PD				0
GPIO41_PU				0
GPIO42_PU				0
GPIO0_PU				0
GPIO82_PU				0
GPIO81_PU				0
GPIO80_PU				1
AIN0				1

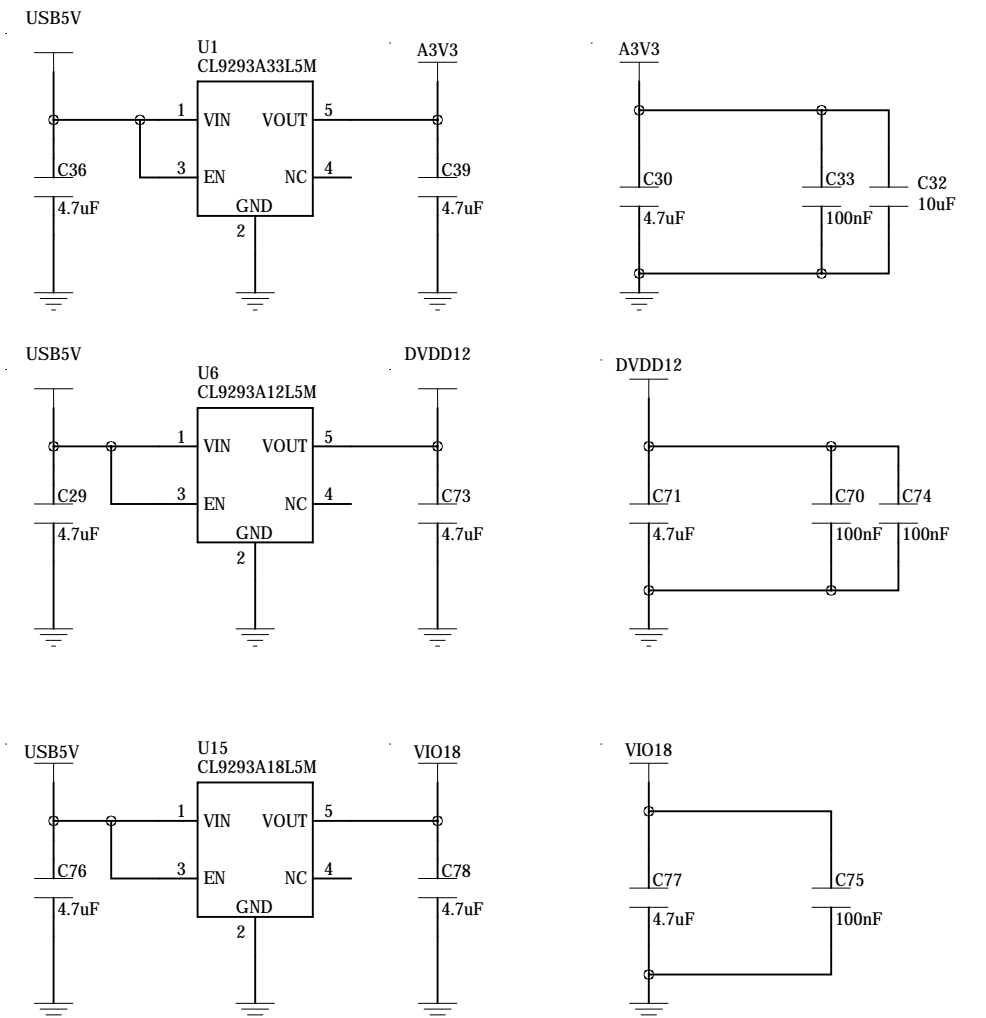
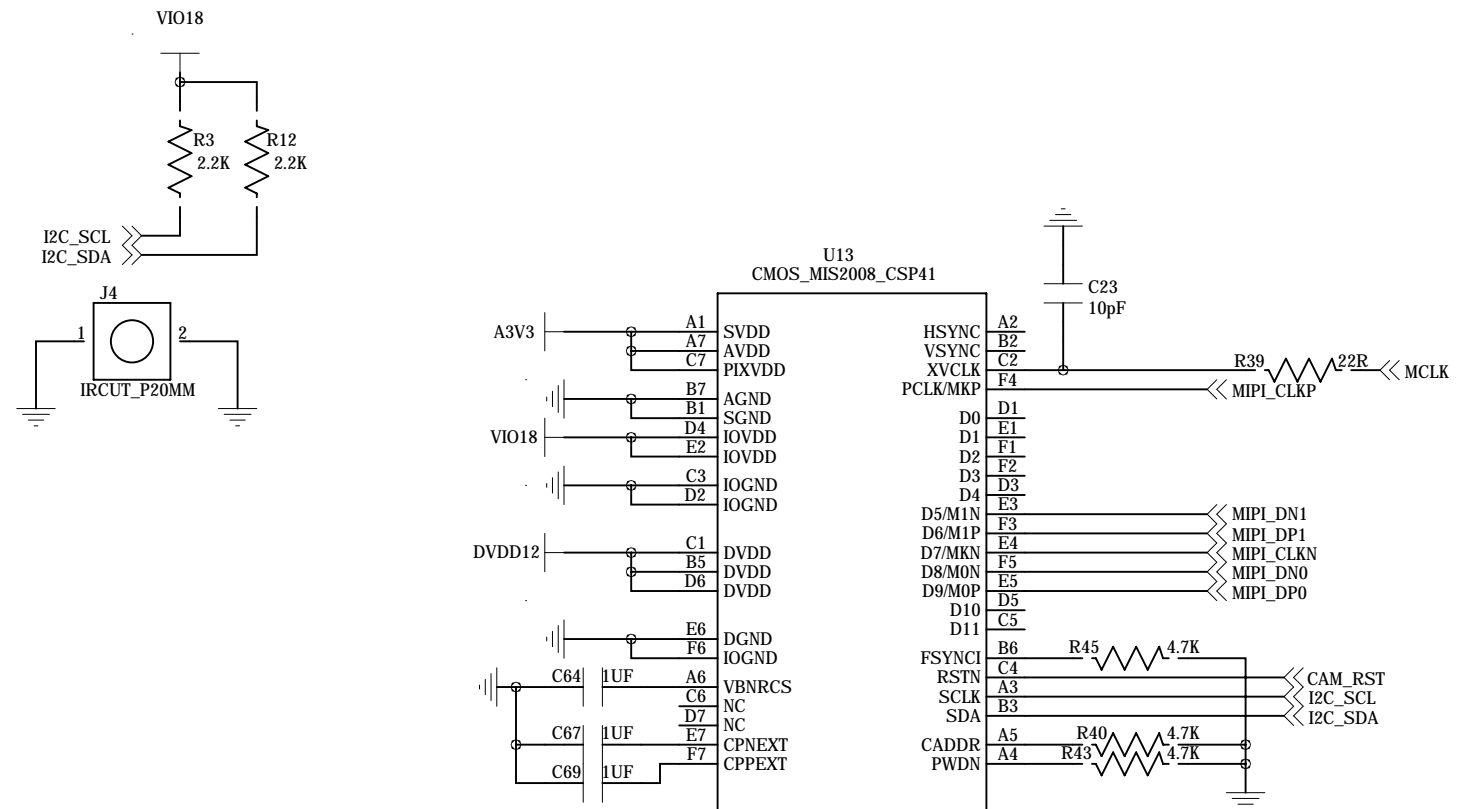
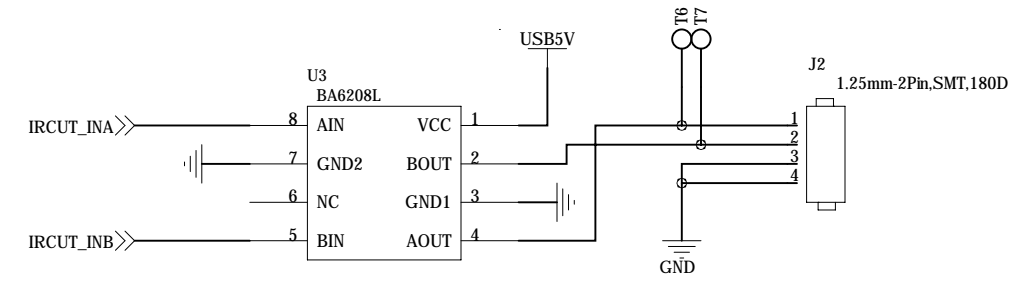




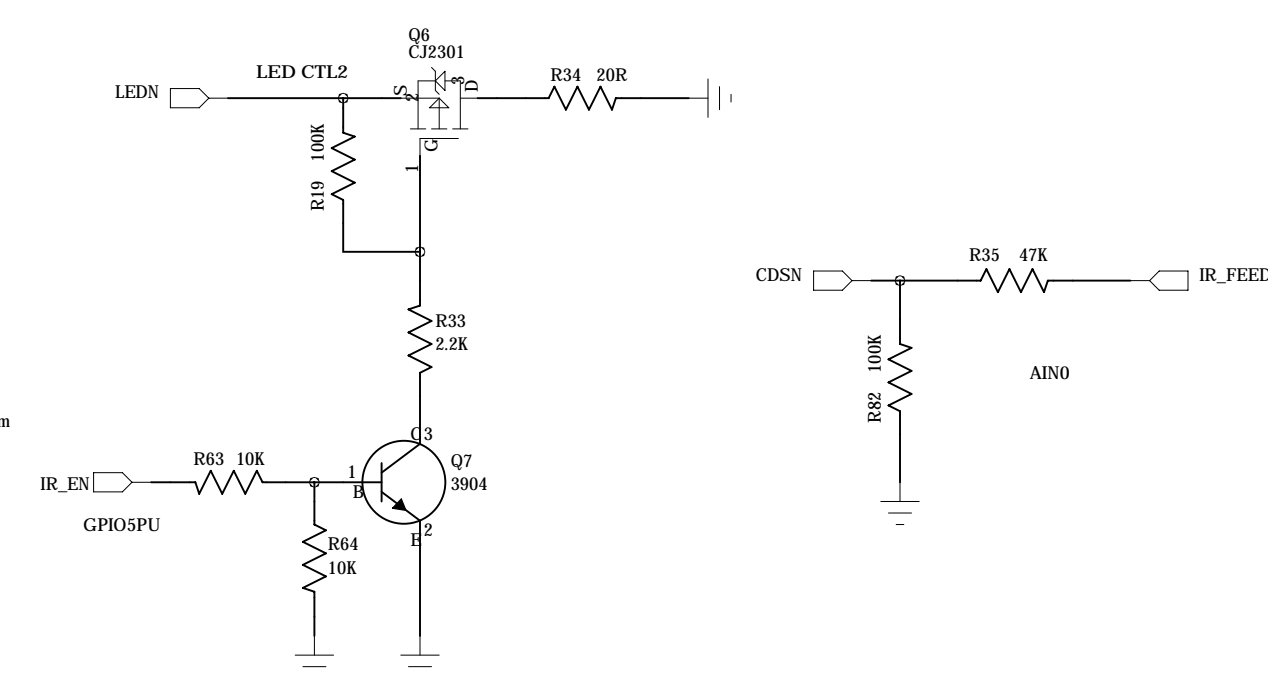
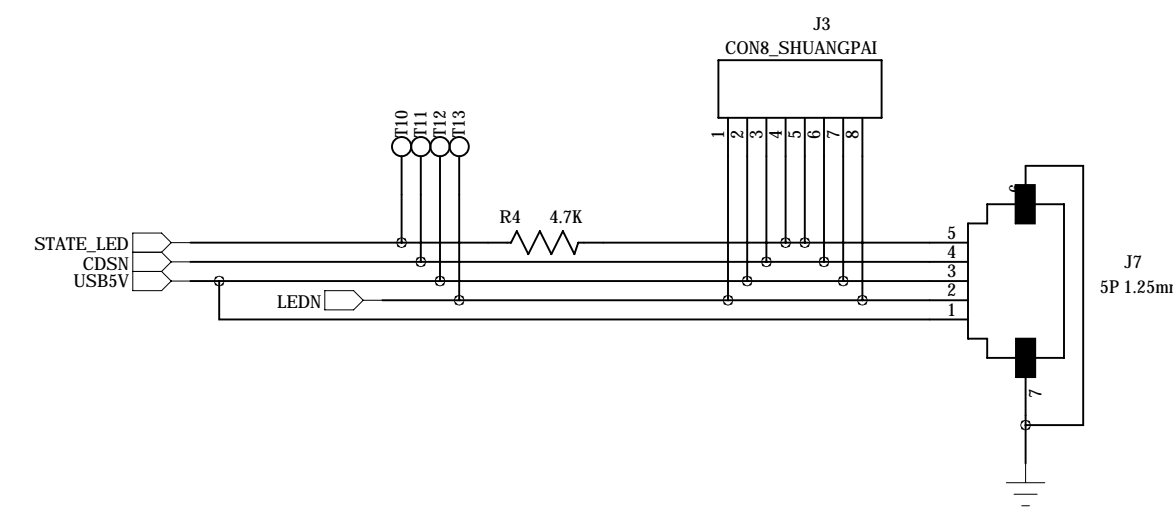
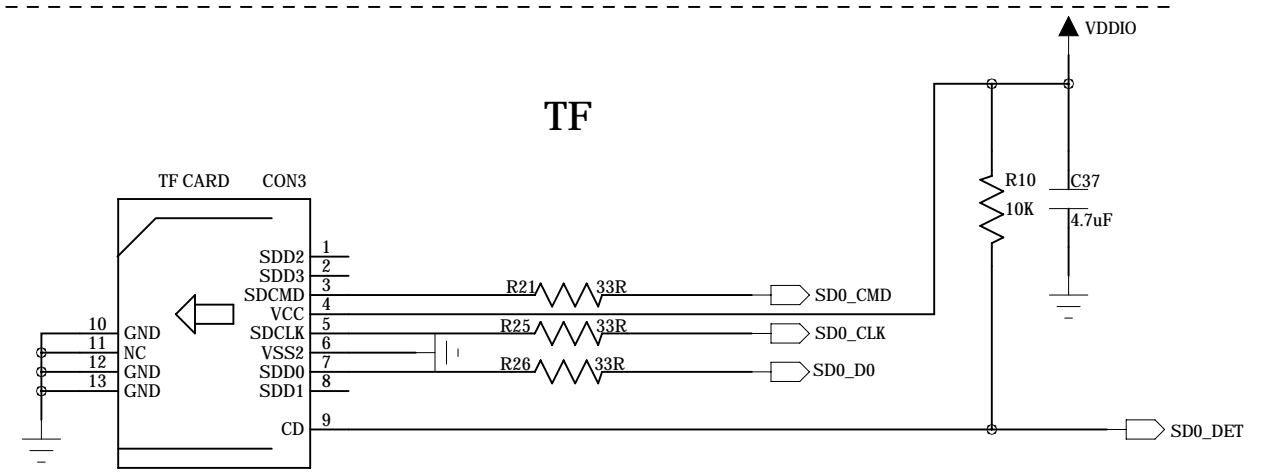
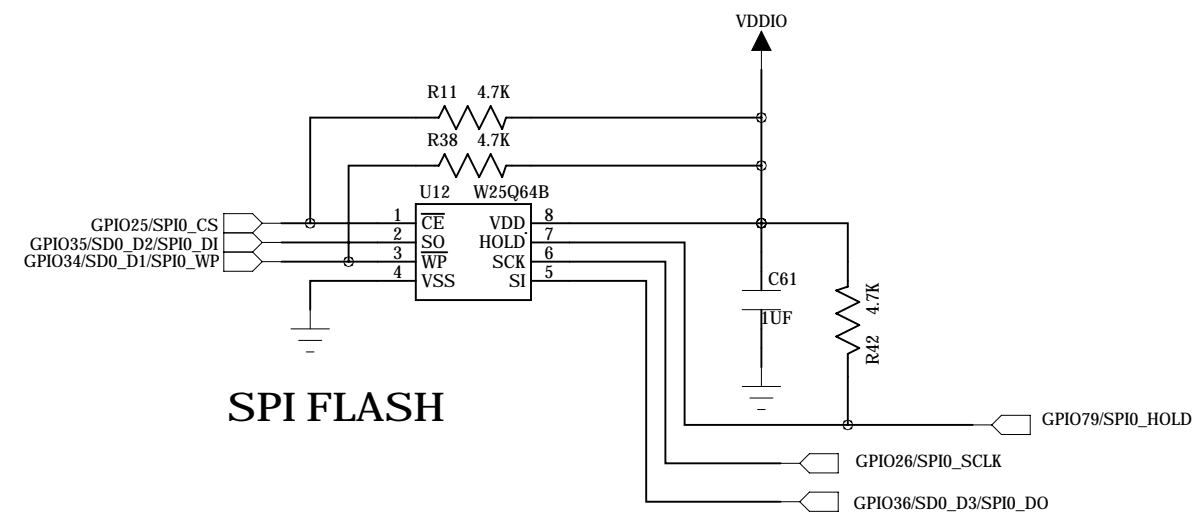
Version	V0.1.0	Date	20180628
Page	3	Total Pages	5

GPIO81PU

GPIO80PU



Version	V0.1.0	Date	20180628
Page	4	Total	5



IR\_EN is high when IR\_FEED is high

1	V0.1.0		20180628
5			5