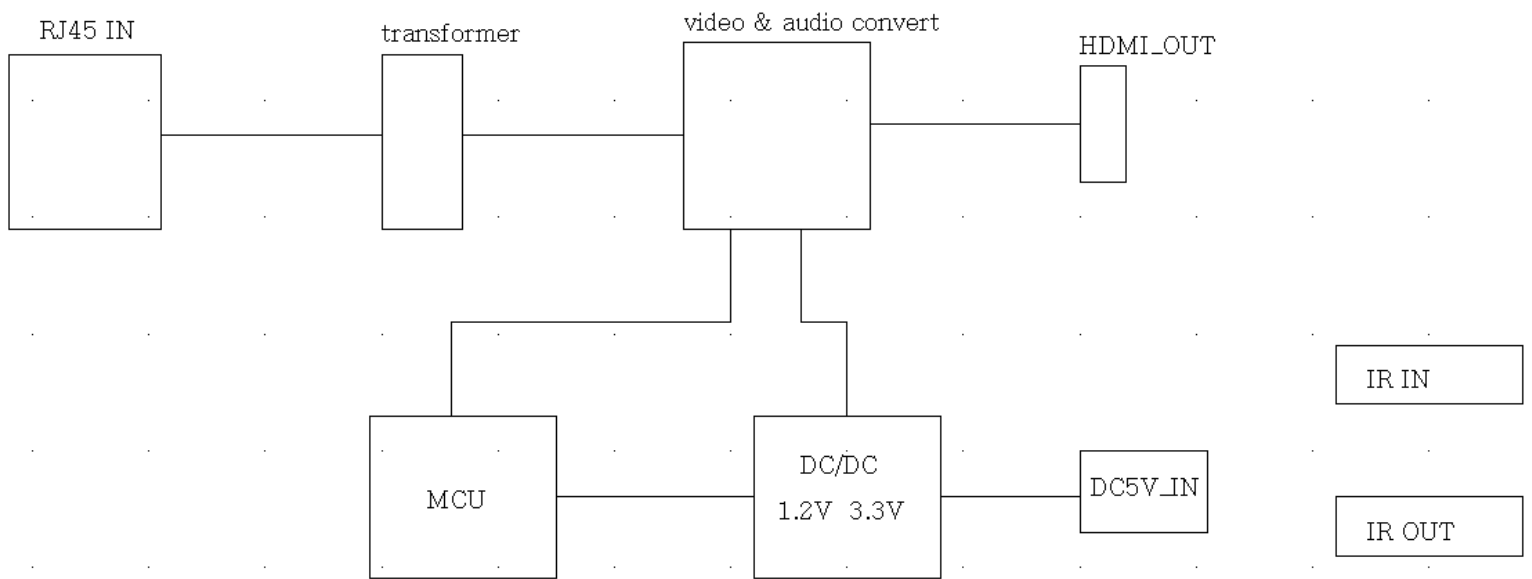


LKV676E-RX block diagram



LKV676E-TX block diagram

