

Reader

User's Manual

V1.0.1

1.2.51.32.12039-001

Special Announcement

- This manual is for reference only, subjected to the actual product.
- All the designs, software and instructions here are subject to change without prior written notice.
- All damaged and losses caused by operation not following instructions in this manual, are borne by the user.
- All trademarks and registered trademarks are the properties of their respective owners.
- If there is any uncertainty or controversy, please refer to the final explanation of us.
- Please visit our website for more information.

1 Overview

Reader, achieving video surveillance, is a complement to video monitoring, visual talk products. It has simple appearance, powerful function, and is suitable for advanced commercial building, company property and smart community.

Reader has abundant functions, including:

- Non-contact reader (read-only), within distance of 3cm~5cm, response time <0.3 s.
- Support Wiegand Protocol and RS485 protocol. RS485 baud rate is 9600bps.
- Support watch dog.
- All connection ports have over load protection.
- Work temperature: -30°C ~ +60°C. Work humidity: ≤95%.
- Buzzer and indicator prompt.
- Online upgrade.
- Advanced key management system, lowering risk of data theft or intelligent card duplicate.

2 Device Structure

The device's structure and dimension are shown in Figure 2- 1 and Figure 2- 2. Unit is mm.

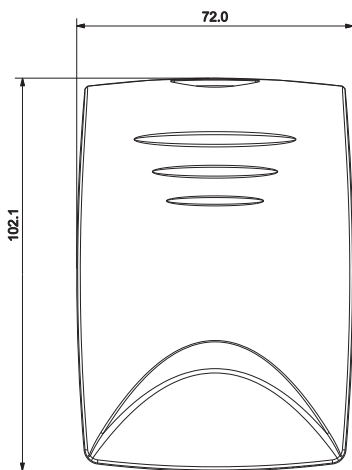


Figure 2- 1

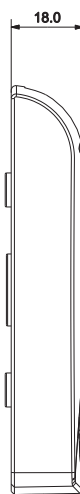


Figure 2- 2

3 Device Installation

Card Reader's installation illustration is in Figure 3- 1.

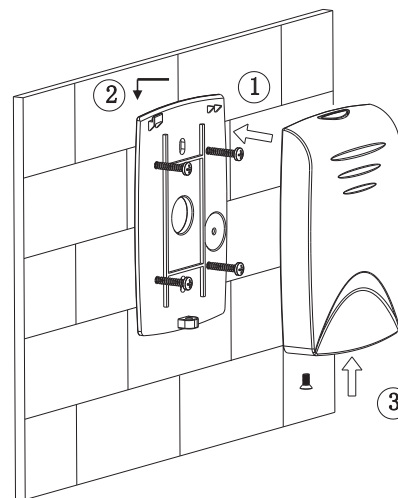


Figure 3- 1

- Step 1 Fix rear cover's self-tapping screw on wall.
- Step 2 Hang front cover on hook on rear cover.
- Step 3 Pull recessed screw through hole at bottom, and lock front cover on rear cover.
- Step 4 Apply silica gel to gaps between the device and the wall. Liquid sodium silicate is recommended.

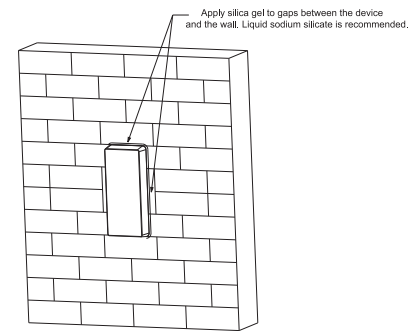


Figure 3- 2

4 System Structure

4.1 Wiring

Wiring of the device includes two groups of wires, as 8-pin and 3-pin. 8-pin wires shall refer to Chart 4- 1.

No.	Color	Port	Note	Protocol
1	Red	12V	DC 12V	-
2	Black	GND	GND	-
3	Blue	ALARM_OUT	Wiegand Protocol vandal proof alarm output	Wiegand Protocol
4	White	D1	Wiegand signal 1	
5	Green	D0	Wiegand signal 0	
6	Brown	LED/BELL_CTRL	Wiegand swipe card signal	
7	Yellow	RS485-	-	RS485 protocol
8	Purple	RS485+	-	

Chart 4- 1

4.2 System Organization

Access control card reader and controller, integration device form a system as in Figure 4- 1.

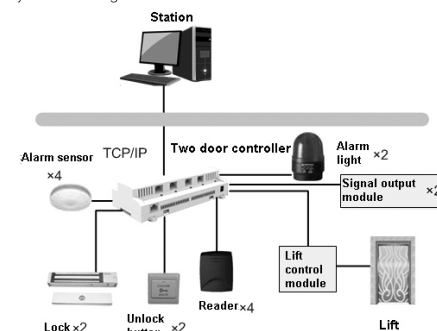


Figure 4- 1

Note:

- This manual is for reference only. Slight difference may be found in user interface.
- All the designs and software here are subject to change without prior written notice.
- All trademarks and registered trademarks are the properties of their respective owners.
- If there is any uncertainty or controversy, please refer to the final explanation of us.
- Please visit our website or contact your local service engineer for more information.

Important Safeguards

Please read the following safeguards and warnings carefully before using the product in order to avoid damages losses and body injuries. After reading, please well keep this user's manual.

Note:

- Please change user default password after being armed.
- Do not install the device at position exposed to sunlight or in high temperature. Temperature rise in device may cause fire.
- Do not expose the device to lampblack, steam or dust. Otherwise it may cause fire or electric shock.
- The device must be installed on solid and flat surface in order to guarantee safety under load and earthquake. Otherwise, it may cause device to fall off or turnover.
- Do not drop or splash liquids onto the device, and do not place container with full liquid on the device to prevent liquid spilling from entering the device.
- Do not block air vent of the device or ventilation around the device. Otherwise, temperature in device will rise and may cause fire.
- Use the device only within rated input and output range.
- Do not disassemble the device without professional instruction.
- Please transport, use and store the product under appropriate temperature and humidity.

Warning:

- Please use battery properly to avoid fire, explosion and other dangers.
- Please replace used battery with battery of the same type.
- Do not use power line other than the one specified. Please use it properly within rated range. Otherwise, it may cause fire or electric shock.
- Please use power supply matching SELV requirements, and IEC60950-1 Limited Power Source. Power supply shall follow requirements on device label.
- For I-type structure product, connect it to power supply plug with GND protection.
- If you use power plug or appliance coupler as disconnecting device, please maintain the disconnecting device available to be operated all the time.