

# Mobile Stand Installation Guide

Version: 1.1

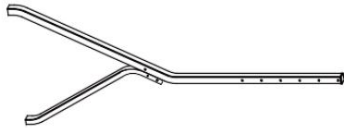
· To ensure correct and safe use, read carefully read this manual before installation.

It is recommended to equip this model with a whiteboard interactive digital from 55 to 86 inches.

· The maximum weight of the bearing can support up to 100 kg.



## Packing list



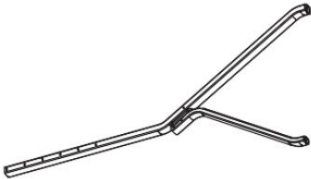
A - Left support 1 piece



C - Wall bracket 1 piece



E - Wheels 4 pieces



B - Right support 1 piece



D - Tray 1pc



F - Bar for hanging on the wall 2 pieces\*

Cross recessed hex head screw	M8 x 25 mm	14 pieces	
Spring cushion M12	∅20x∅13 mm	4 pieces	
M6 screw*	M6 x 130 mm	2 pieces	
Phillips Screwdriver (User Prepared)		1 PC	
Adjustable Wrench (User Prepared)		1 PC	

Use: \* It indicates that due to differences in models, some models include this accessory, please refer to the current one.

## installation steps

### Step 1

Set the wheel to the brake state and screw it into the brackets (as in Figure 1).

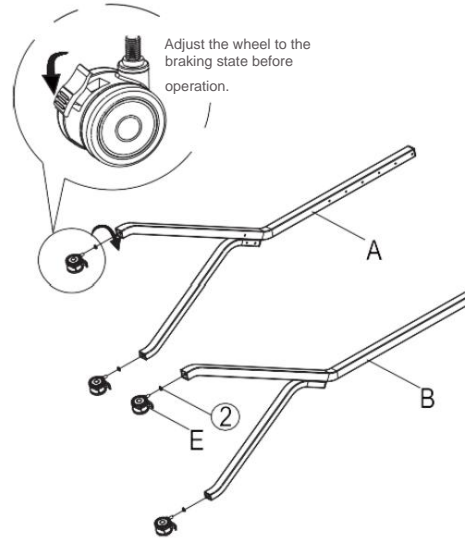


Figure 1

### Step 2

Attach Wall Bracket to Left Bracket (as in Figure 2), 3 sets of mounting heights (1 & 4, 2 & 5, 3 & 6), optional on demand.

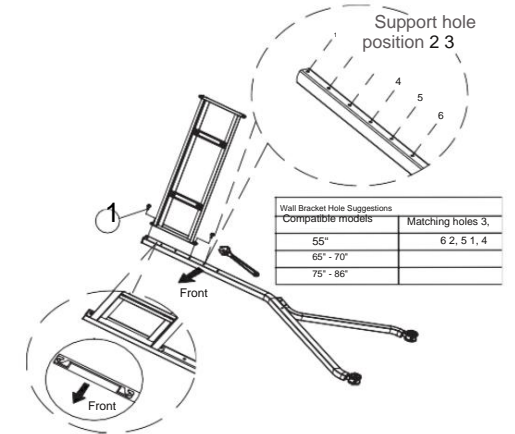


Figure 2

### Step 3

Attach the right bracket to the other end of the bracket wall (as shown in Figure 3).

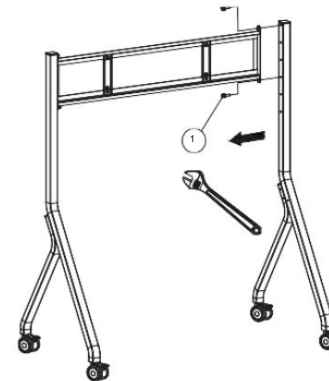


figure 3

### Step 4

Installation of the tray between the two supports (as in Figure 4).

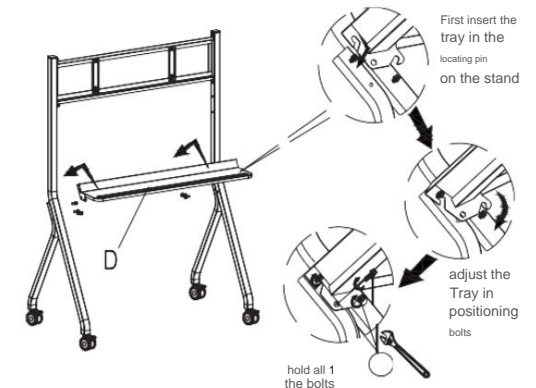


Figure 4

**step 5**

Attach the wall hanging bar to the entire machine as required, necessary (as shown in Figure 5).

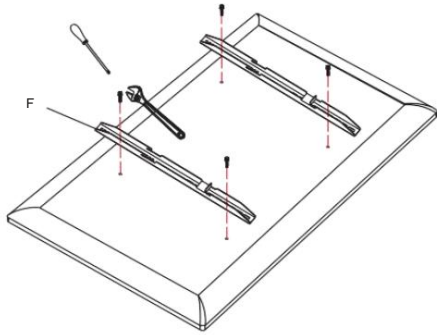


Figure 5

**step 6**

Hang the complete assembled machine on the wall bracket and lock the security screw of the Wall hanging bar (as in Figure 6).

Make sure the brakes are locked, this step requires at least 2 professionals to complete.

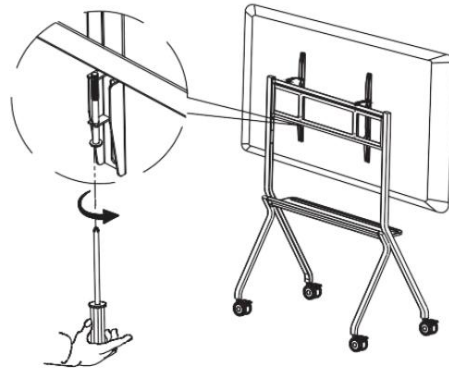
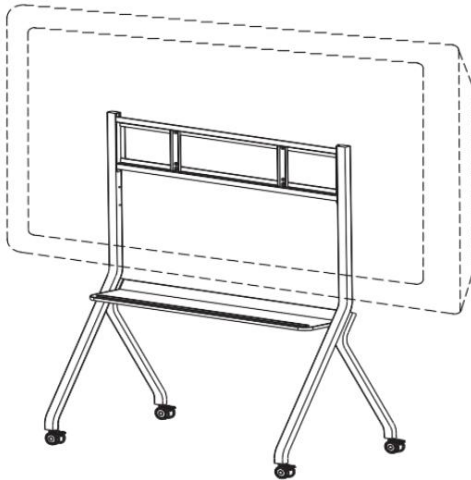


Figure 6

**step 7**

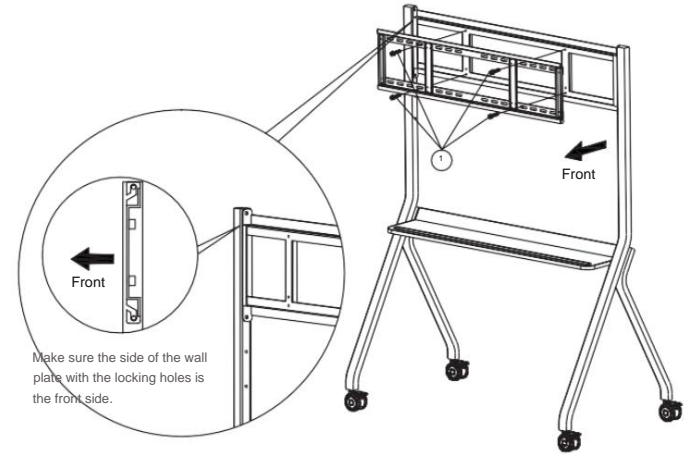
Please refer to the following image for the finished product.



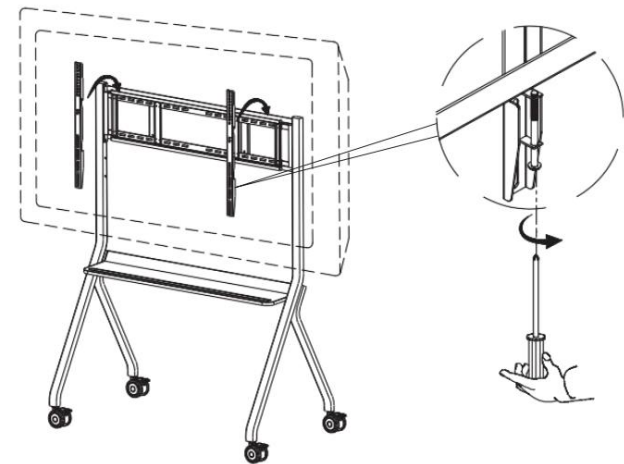
**OBSERVATIONS:**

When the interactive whiteboard with its own hanging bar cannot be seamlessly combined effective with the tripod, you need to modify it together with the wall mount plate, as shown below. continuation.

1 Attach the wall mount plate to the wall bracket.



2 Hang the interactive whiteboard on the wall mounting plate and lock the security bolt.



ZKTECO CO.,LTD. www.zkteco.com Copyright © 2020 ZKTECO CO., LTD. All rights reserved.

ZKTeco Industrial Park, No. 32, Industrial Road, Tangxia City, Dongguan, China.  
Phone: +86 769 - 82109991 Fax: +86 755 - 89602394