



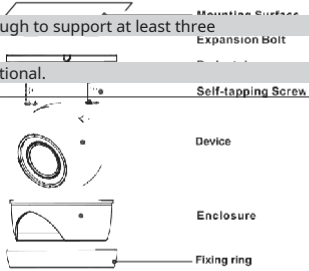
# Quick Installation Guide

## v1.0.0

### NOTE

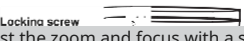
- Please be assured the mounting surface is strong enough to support at least three times the weight of the chamber.
- For wood saddle contact surface, expansion bolts are optional.

### Model A

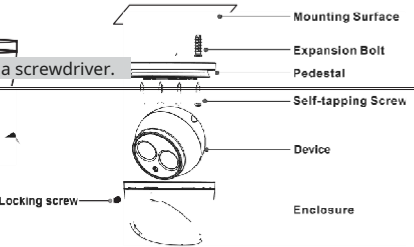
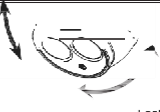


### NOTE

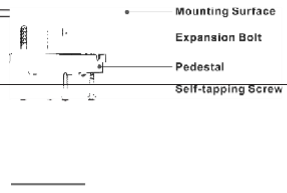
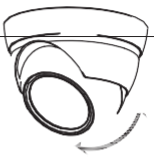
You can adjust the zoom and focus with a screwdriver.



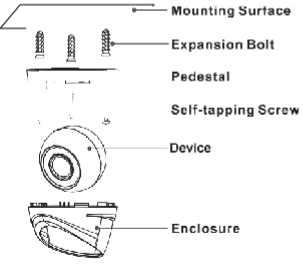
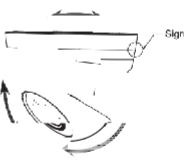
### Model B

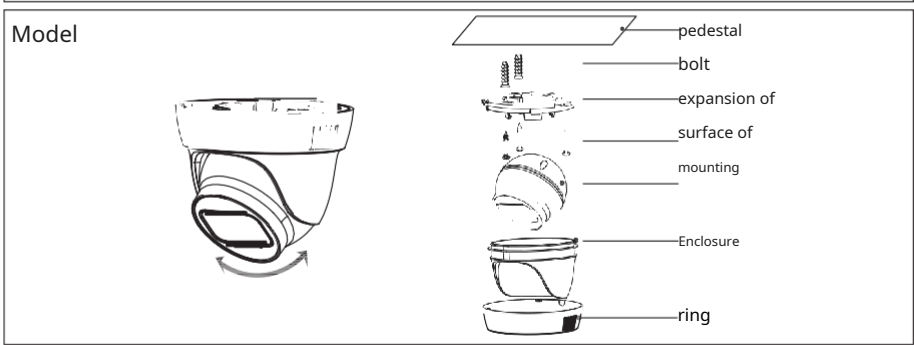
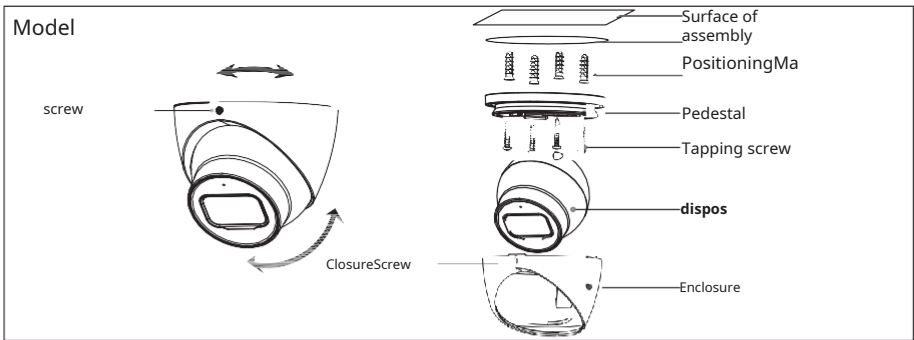
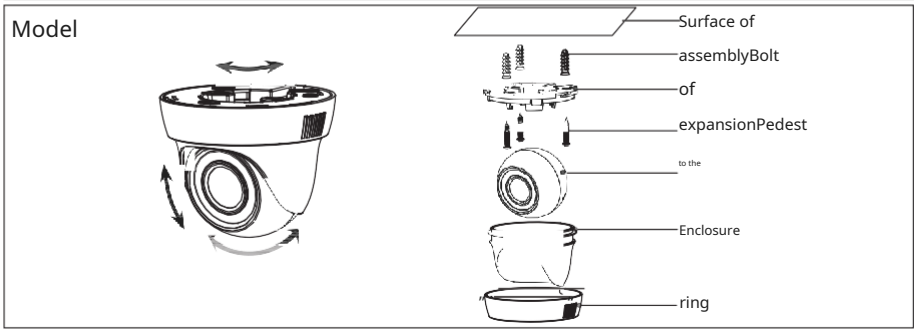
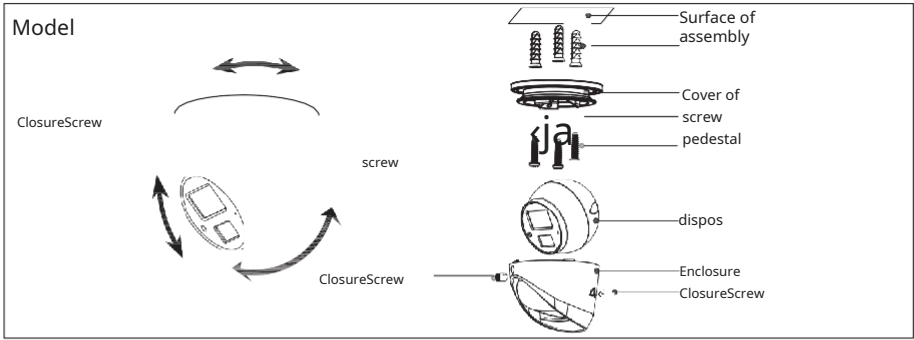


### Model C



### Model D





**NOTE**

This manual is for reference only. please visit our website either Contact your service engineer location for more information.