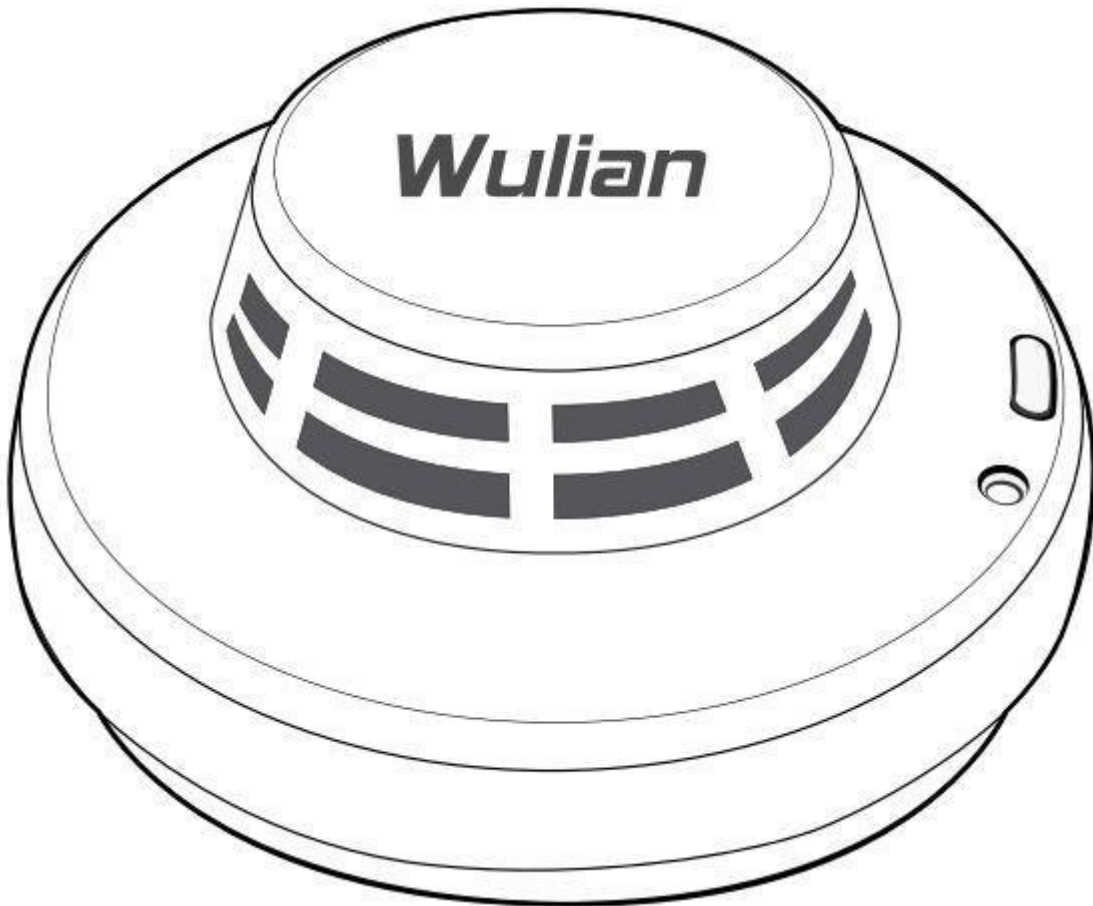


Wulian[®]

ISO9001:2008 Certified

Smart Smoke Detector

WH-ZSPCNPW-SK-01



©2016 Nanjing IOT Sensor Technology Co., Ltd.
Publication No.: 2016-0929.V01

No. 15, Fengji Road, Yuhuatai District, Nanjing

Email: overseas@wuliangroup.com

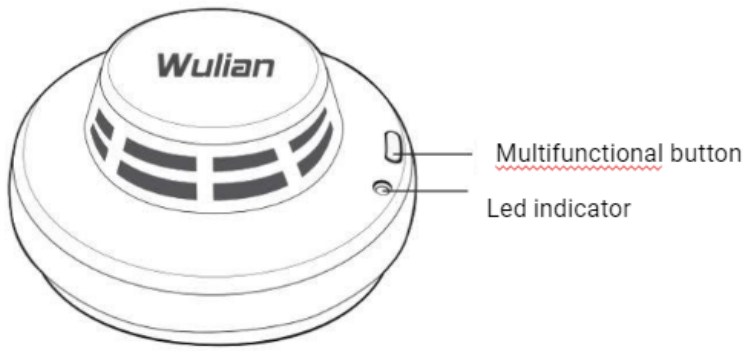
Service Line: +86-400 889 2891

Official Website: www.wuliangroup.com

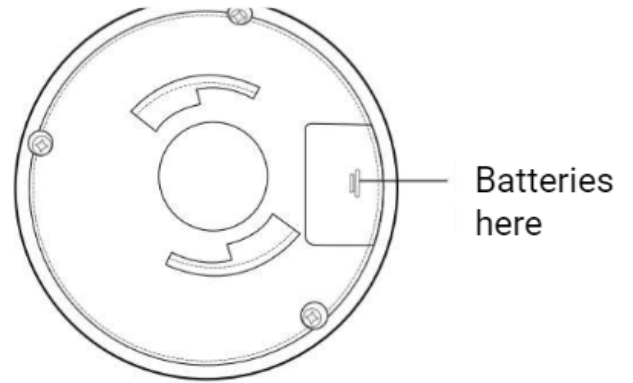
Welcome to Wulian Smart Smoke Detector user manual

- WULIAN is the registered trademark of Nanjing IOT Sensor Technology Co., Ltd. All other brand or product names mentioned in the manual are the trademarks or registered trademarks of their respective holders.
- Please read this manual carefully to ensure correct and safe use.
- Wulian Smart Smoke Detector (hereinafter referred to as "this product") is manufactured by Nanjing IOT Sensor Technology Co., Ltd. (hereinafter referred to as "Wulian"). This product is to be used with the Smart Home App as well as the supplied accessories. Wulian is not responsible for any loss due to improper installation or use of this product.
- Wulian will update the product information in this manual at any time without prior notice. Pay attention to our timely information and download Smart Home App with the latest edition.
- Without the express written consent of our company, no individual or company may copy the content or part of the content of this manual, or use the trademark of our company. We will investigate for the legal responsibility of individuals or companies for the illegal use of our brand.
- You are invited to visit Wulian official website www.wuliangroup.com for more information.

Product Illustration

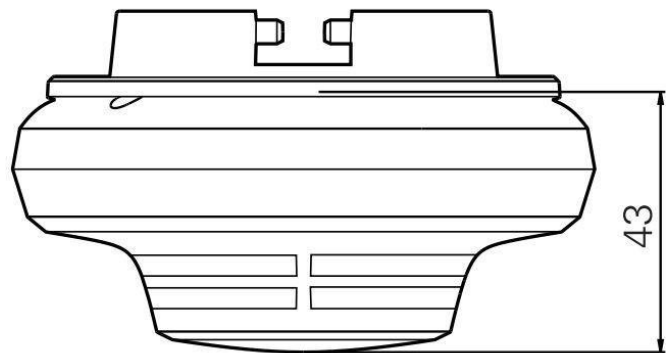
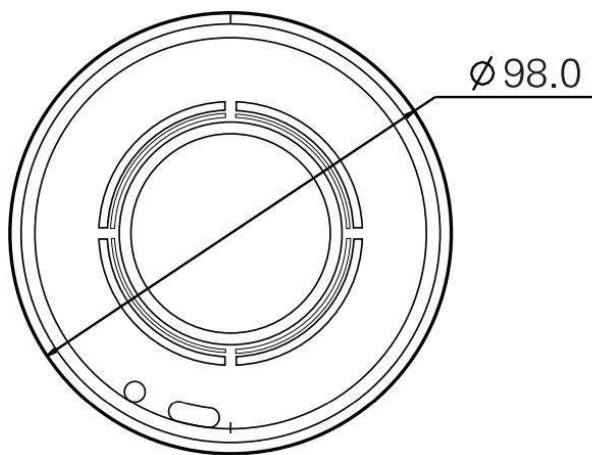


Front view



Rear view

Product parameters



Characteristics

1. Arming and disarming the detector from the App
2. Real-time monitoring of the security status of the interior available in the app for Smartphones.
3. Different scenes can be configured according to the user's needs through the SmartHome App for Smartphones.
4. High reliability, stable performance, high anti-interference ability and low false alarm rate.

Software Download

Option A:

Download the latest version of SmartHome, Scan the QR code located on the back of the product packaging box.

Option B:

iOS users can download the app by searching “Wulian Smart Home” in “Apple Store”.

Android users can download the app by searching “Wulian Smart Home” in “Google Play”.

Warning:

For your first use, please download the Smart Home app and read the user manual carefully.

Please pay attention to the information provided by Wulian when you download the latest version of the application.

Installation Instructions

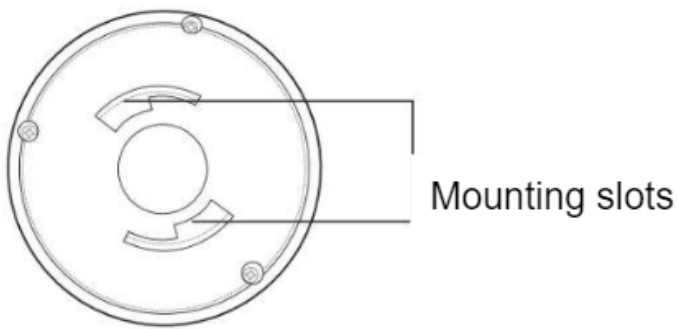
Option A:

Make the hole to fix the base to embed the device in the ceiling
(About 68mm-80mm in diameter)

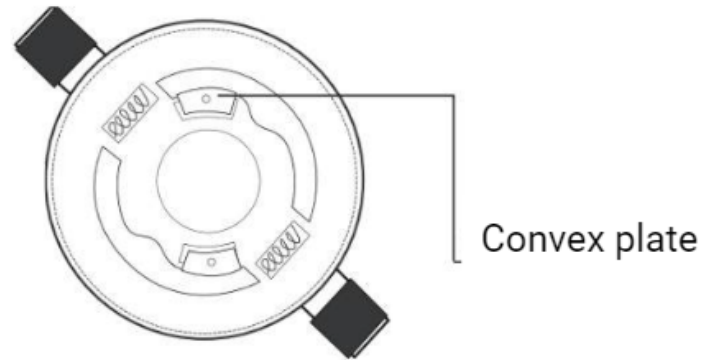
Installation List: Detector Body, Ceiling Mount Base.

Installation Steps:

1. Once the hole in the base has been made, match the convex plate with the slots on the device and once it is correctly positioned, turn it clockwise.

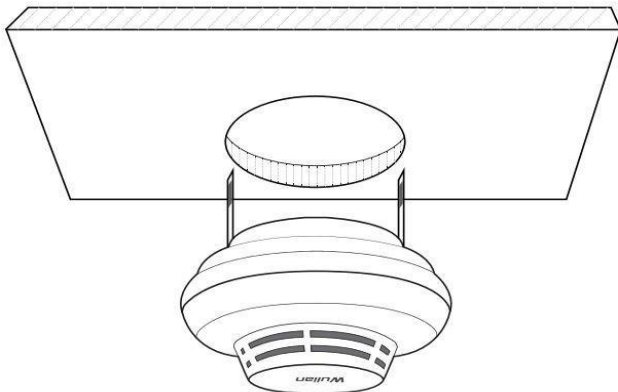


Alarm body



Ceiling mounted base

2. Press the base tension springs and insert them into the installation hole, the installation is complete.

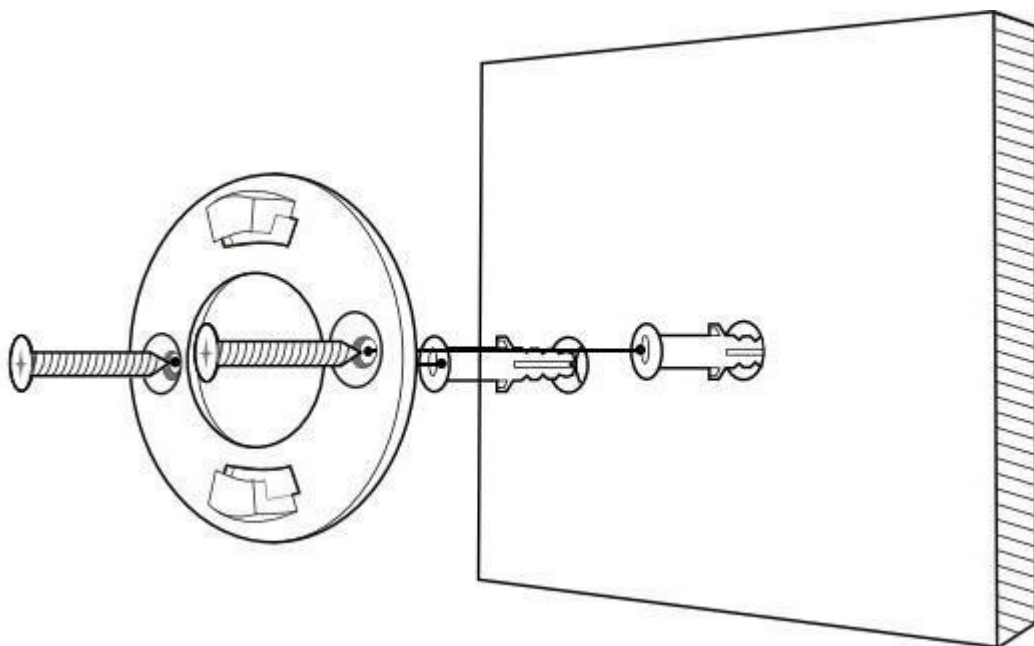


Option B:

Installation Conditions: Fits on top surface or wall without ceiling mounting holes.

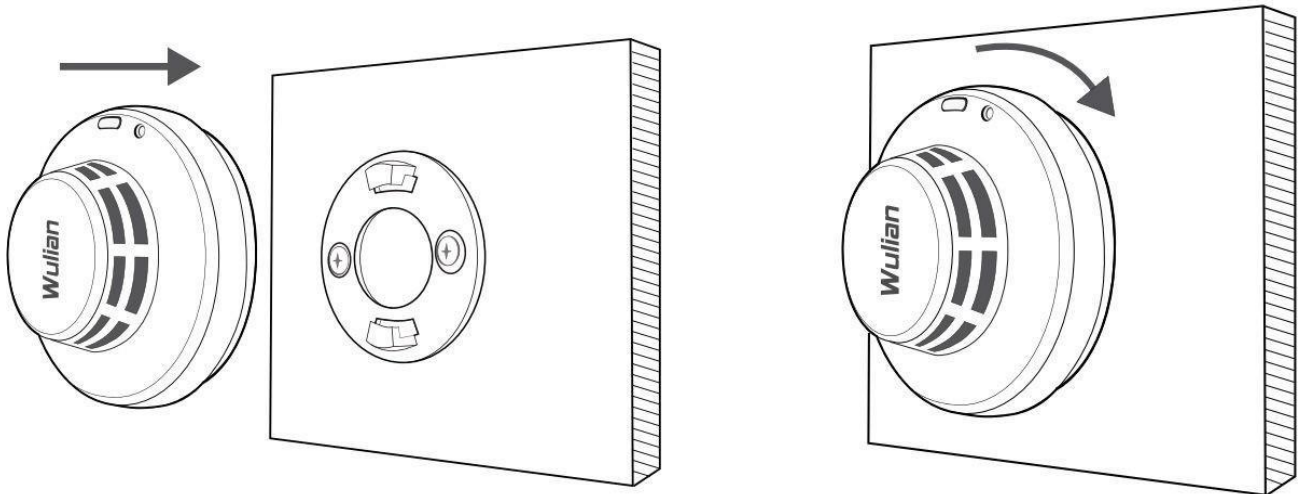
Installation List: The detector body, The assembled base, Screws, Anchors.

1. Be sure to correctly mark the holes where you will place the anchors to fix the base with screws, as shown below:



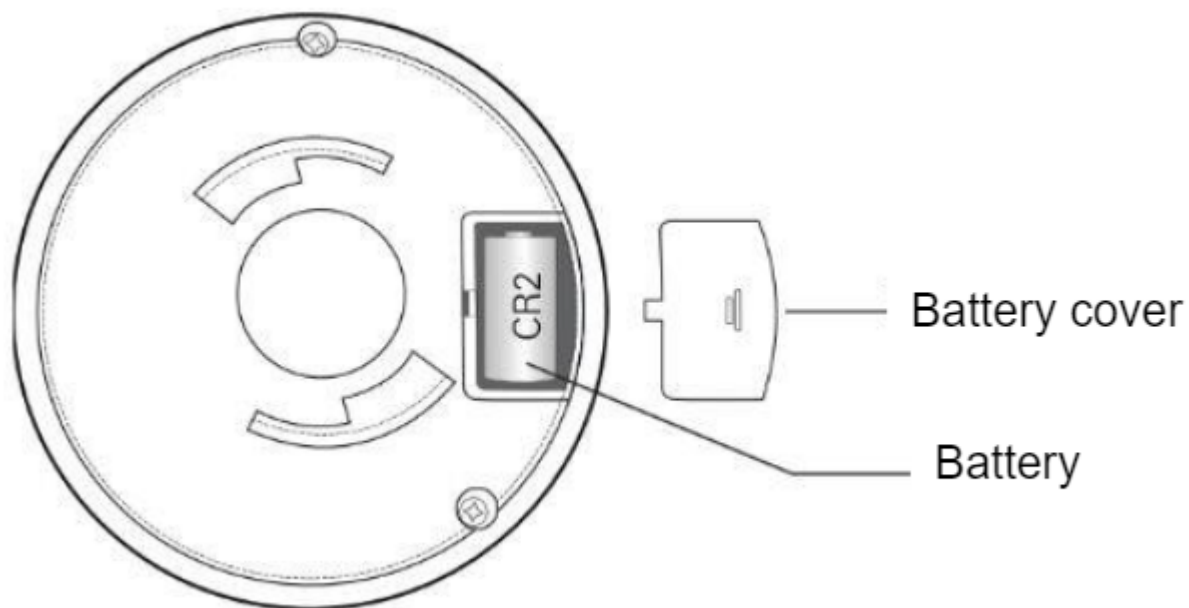
Note: Please use $\Phi 4$ mm drill bit to drill the pre-alignment whose center distance is 40mm and the opening is 5mm

2. Screw the mounted base to the ceiling with two screws and connect power to the alarm body. then correctly fit the ceiling base into the base slits and turn clockwise, the installation is complete



Network Configuration

1. Insert the CR2 type battery and replace the battery cover

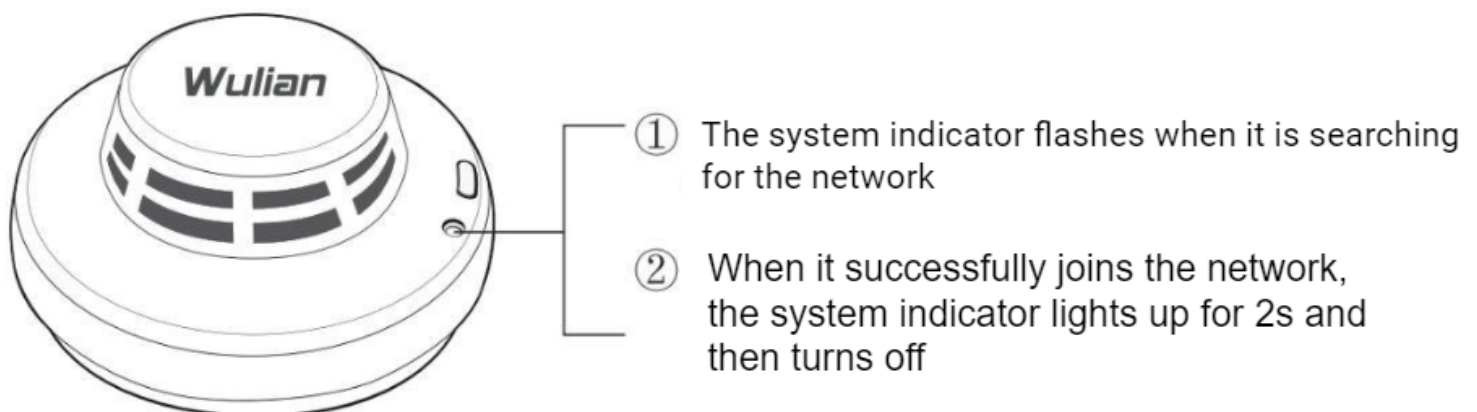


2. Before configuration, make sure the gateway (additional purchase) is operating correctly and the ZigBee network indicator is flashing, also make sure the equipment is turned on and within communication range
3. Before operating, please make sure the product is not connected to another gateway; or has been disconnected from the ZigBee network before connecting again (The new product can be directly connected to the network)

4. Networks

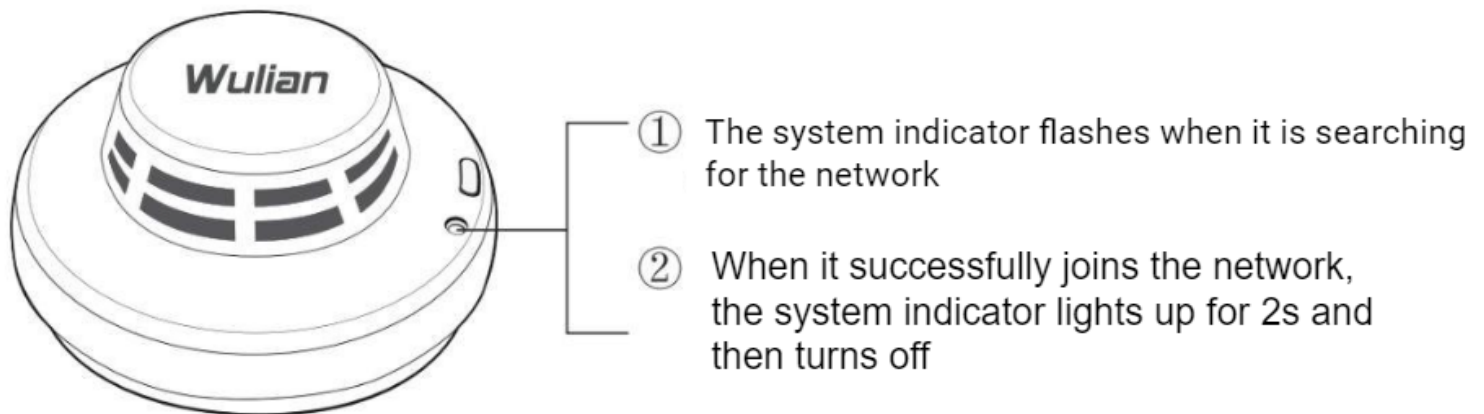
4.1 The first time you connect to the network

- Put the gateway in link mode (See the gateway manual for more details)
- When the product is used for the first time, turn it on and it will search for the ZigBee network, then join automatically.
- Then the system indicator will flash when it is searching the network;
- When it successfully follows the ZigBee network, the system indicator stays on for 2 seconds and then turns off.



4.2 Join Network Manually

- Quickly press the multi-function button once, then the System Indicator flashes to indicate that it is searching the network
- When it successfully joins the ZigBee network, the system indicator stays on for 2s and then turns off.



Note:

Quickly press the multi-function button once and the system indicator will flash once to indicate successful linking with the network.

5. Go off the grid

- Long press the multifunctional button for 6s and then release it;
- Then the system indicator will flash 4 times and then turn off, this indicates that it has already left the ZigBee network.



- ① Long press the multifunction button
- ② System indicator blinks 4 times then goes off

Note 1:

If the device fails to join the ZigBee network after the operations, please follow the steps below (make sure the gateway is connected to the network):

- ① Go off the network (Go to Go off the network, for more details)
- ② Wait for 2s and quick press the multifunctional button once to follow the ZigBee network.

Note 2:

After going out of the network, please do not cut off the power to the device (cut off the power, remove the batteries, etc.) wait for 4 seconds in case of device abnormality

Electrical Parameters

Communication protocol	IEEE 802.15.4 ZigBee/SmartRoom
Antenna Type	internal antenna
Power Parameters	3V DC
Standby current	<10 μ A
Battery Type	CR2 (X1)
alarm current	75 mA
Overall Dimensions (L x H)	86 x8 7.1 mm
Alarm decibels	70 dB, 3m
alarm mode	Network output/ Sound and light alarm

Structural Parameters

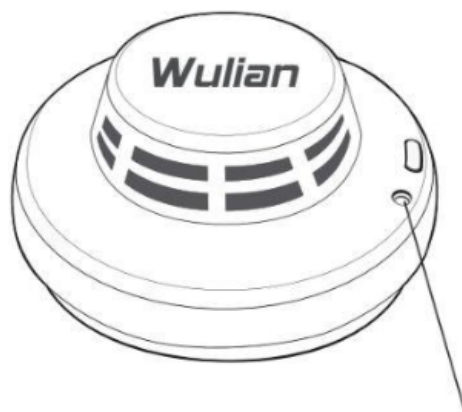
Dimensions (D x T mm)	Φ 98 x 43
Material	PC
Colour	White
Net weight	120 g
Fire Protection Index	UL94 V-0
Operating Temperature	-10 $^{\circ}$ C ~ +45 $^{\circ}$ C
Working Humidity	\leq 95%RH (no condensation)
Storage temperature	-20 $^{\circ}$ C ~ +60 $^{\circ}$ C

Purchase information

Name	Model	Material and color
Smart Smoke Detector	WH-ZSPCNPW-SK-01	PC, WHITE

User's Guide

1. The alarm signal can be sent from the App to your Smartphone after detecting a concentration of smoke. Meanwhile, the LED indicator flashes red 4 times and the horn sounds 4 times.
2. Disarm the alarm by pressing the Multifunction button once or from the App after the alarm sounds, to ensure that it can be activated again.



Smartphone/Tablet

Red light
LED indicator blinks 4 times quickly

Precautions

- This product should be regularly inspected for malfunction to ensure timely alarm.
- This product must be installed in a clean and dust-free place to prevent damage to its internal components and ensure better performance.
- If the device breaks, please send it to your local repair service or contact your dealer. Installation or handling by untrained personnel is prohibited.