



YLI ELECTRONIC

Access Control Externally Connected Module

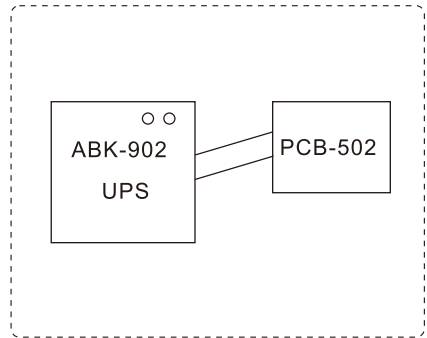
Model: PCB-502



Specification

- Size: 35Lx34Wx22H(mm)
- Material: High quality elements with superb design
- Max. overload: 10A/250VAC
10A/30VDC
- Suitable for door: Fail-safe electric locks with signal output
- Operating temp: -20~+70°C
- Output capability: Applied to double door interlocking
- Weight: 0.05kg

Installation



Basic Instruction

Interlocking relay module is the ideal choice for the purpose of interlocking door control project, which is easy to install, professional and capable of standing wear.

Dimension

