

PSU2412A

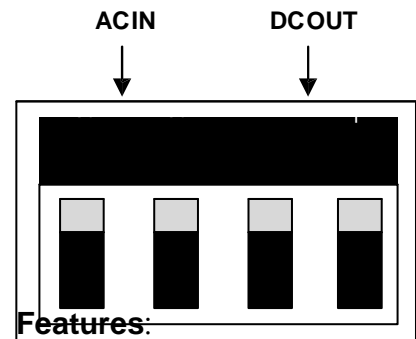
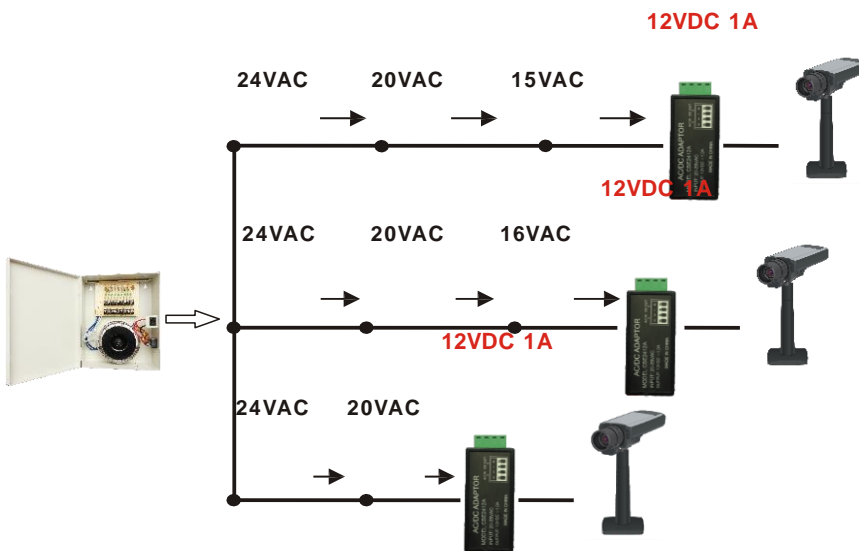
**AC to DC Power Converter:
24V AC to 12V DC up to 1000mA**

PSU2412A is a 24V AC to 12V DC regulated voltage converter that is capable of powering the large IR cameras, PTZ cameras or other devices requiring 12V DC where only 24V AC is available. This converters' small size allows it to fit inside most typical camera housings, yet packs the largest current output capability we have seen - 1.0 Amp.



SPECIFICATION

Input Voltage Range	20~30VAC
Output Voltage	12VDC
Output Current	1Amp
Working temperature	-30 to 80°C
Dimensions	75x30x23mm



Features:

- Quick connect terminals
- 1.0-Amp Supply Current Power Adapter
- Input: 20~30V AC
- Output: 12V DC, 1.0 Amp

Caution:

- Do not handle the unit with wet hands.
- The unit is not waterproof and should not be used outdoors.